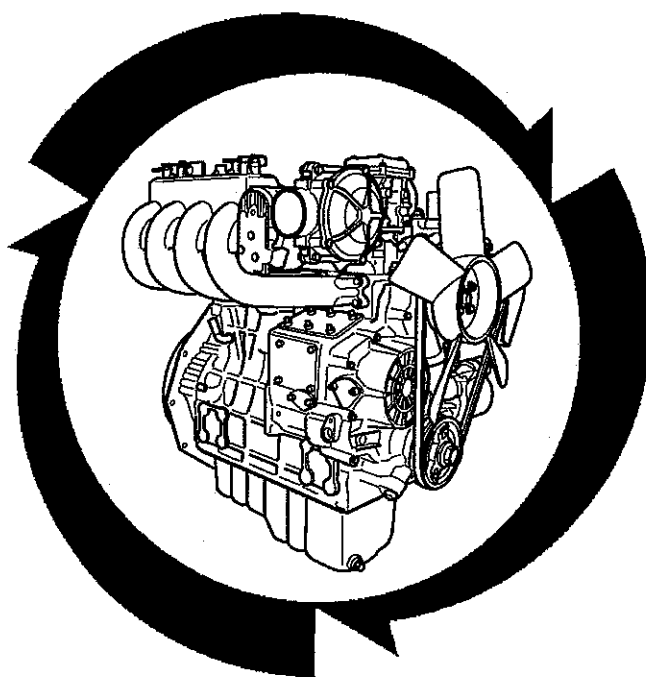


**ILLUSTRATED PARTS LIST
LISTA DE PIEZAS
LISTE DES PIECES**

KUBOTA

MODEL
MODELO **WG1605-G-E3-MNTM-1**
MODELE

**GASOLINE ENGINE
MOTOR GASOLINA
MOTEUR A ESSENCE**



Kubota

97898-84850
NOV.
NOVIEMBRE 2013
NOVEMBRE

NOTICE

This Parts List is for the following purposes.

1. When ordering parts, check with this Parts List to confirm the part number and the name of parts.
2. When making repairs, refer to the illustrations in this Parts List.
3. This Parts List is subject to change without notice.

NOTA

Esta lista de piezas tiene el objetivo siguiente.

1. Cuando solicite piezas, consulte esta Lista de piezas para confirmar su número de referencia y nombre.
2. Al efectuar reparaciones, consulte las ilustraciones de esta Lista de piezas.
3. Esta lista de piezas está sujeta a cambios sin previo aviso.

NOTE

Utilisation de ce livre

1. A la commande d'une pièce, chercher la référence et le nom de la pièce.
2. Pour les réparations, employez les illustrations.
3. La liste des pièces peut-être modifié sans préavis.

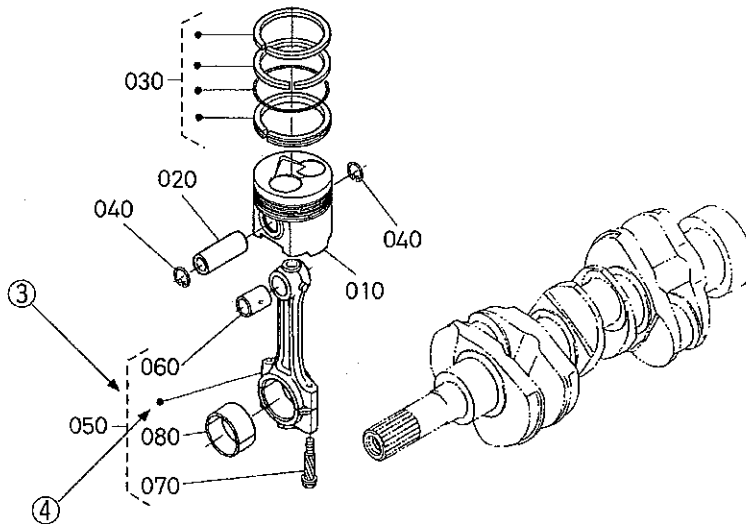
MODEL MODELO MODELE	CODE No. No. DEL CODIGO No. DE CODE
WG1605-G-E3-MNTM-1	EG522-13000

INSTRUCTIONS INSTRUCCIONES INSTRUCTION

①
↓
010200 PISTON AND CRANKSHAFT
PISTON Y CIGUENAL
PISTON ET VILEBREQUIN

②
↓
[B]

⑩ → S.No. ; A: ≤15000, B: 14000 to 15000



REF. No. No. DE REF. POS. No.	PART No. No. REF REFERENCE	PART NAME	DESCRIPCION	DESIGNATION	QTY/S.No. CANTIDAD/No. DE SERIE QTE/No.S.		I.C. I/C I.C.	REMARKS NOTA REMARQUES
					A	B		
010	15800-0000-0	PISTON	PISTON	PISTON	<=15000	<=15000		[Example-1]
010	15800-0000-2	PISTON	PISTON	PISTON	>=15001	>=15001		[Ejemplo-1]
020	15800-1000-0	PIN,PISTON	PASADOR, PISTON	AXE DE PISTON	<=15000	<=15000		[Example-1]
020	15800-1000-2	PIN,PISTON	PASADOR, PISTON	AXE DE PISTON	>=15001	>=15001	≠	[Example-2]
030	15800-2000-0	ASSY PISTON RING	CONJUNTO PISTON ARO	ENS.JEU DE SEGMENTS	<=15000	<=15000		[Ejemplo-2]
030	15830-2000-0	ASSY PISTON RING	CONJUNTO PISTON ARO	ENS.JEU DE SEGMENTS	>=15001	>=15001	↔	[Example-2]
								[Example-3]
								[Ejemplo-3]
								[Exemple-3]

A:XXXX, B:XXXX

- ① Fig. No. Represents No. corresponding to each group name.
- ② Specifications The types and destinations of sister models are indicated. These indications are given to tell their relevant pages in this book.
(for sister models) The symbols, (EC) (UK) (SE) and (ITA) in the "REMARKS" column or "HEADING" show the models as to the following types.

(SYMBOL)	(TYPE)
(EC).....	M8540DTHC(4WD)/M9540DTHC(4WD) EUROPE SPEC.
(UK).....	M8540DTHC(4WD)/M9540DTHC(4WD) UNITED KINGDOM SPEC.
(SE).....	M8540DTHC(4WD)/M9540DTHC(4WD) SOUTHERN EUROPE SPEC.
(ITA).....	M8540DTHC(4WD)/M9540DTHC(4WD) ITALY SPEC.
(G-PTO)...	GROUND PTO SPEC.
(DS).....	DUAL SPEED SPEC.

- ③ Components The components of an assembly are identified by a bracket of dotted lines.
- ④ Point Indicates that the parts is not sold independently.
The assembly (Ref.No.050) containing the part needs to be ordered.
- ⑤ REF. No. Reference numbers are assigned to parts in the illustration. The code number of a part in the illustration can be identified by referring to the same reference number in the parts list.
- ⑥ Model name The name of the basic model is indicated in this column. Other applicable models are indicated on the "REMARKS" column ⑨.
A LINE M8540DTHC(4WD) EUROPE, SOUTHERN EUROPE and ITALY SPEC.
B LINE M8540DTHC(4WD) UNITED KINGDOM SPEC.
C LINE M9540DTHC(4WD) EUROPE, SOUTHERN EUROPE and ITALY SPEC.
D LINE M9540DTHC(4WD) UNITED KINGDOM SPEC.
- ⑦ S. No. Indicates a group of serial numbers to which a design change is applied.
(serial No.)

Engine Serial No.

8 7 J 0001
8 7 K A001

Lower 4 digits in Numerals or Alphabetical letter (A to Z) and Numerals (start 0001 to max Z999).

5th digit Alphabetical letter (Month of manufacture).

Month	1	2	3	4	5	6	7	8	9	10	11	12
	A,B	C,D	E,F	G,H	J,K	L,M	N,P	Q,R	S,T	U,V	W,X	Y,Z

6th digit Numerals or Alphabetical letter (Year of manufacture).

Year	1998	1999	2000	01	02	03	04	05	06	07	08	09	10	11
	W	X	Y	1	2	3	4	5	6	7	8	9	A	B
Year	12	13	14	15	16	17	18	19	20	21	22	23	24	25
	C	D	E	F	G	H	J	K	L	M	N	P	R	S

7th digit Numerals or Alphabetical letter (The factory line identifying).

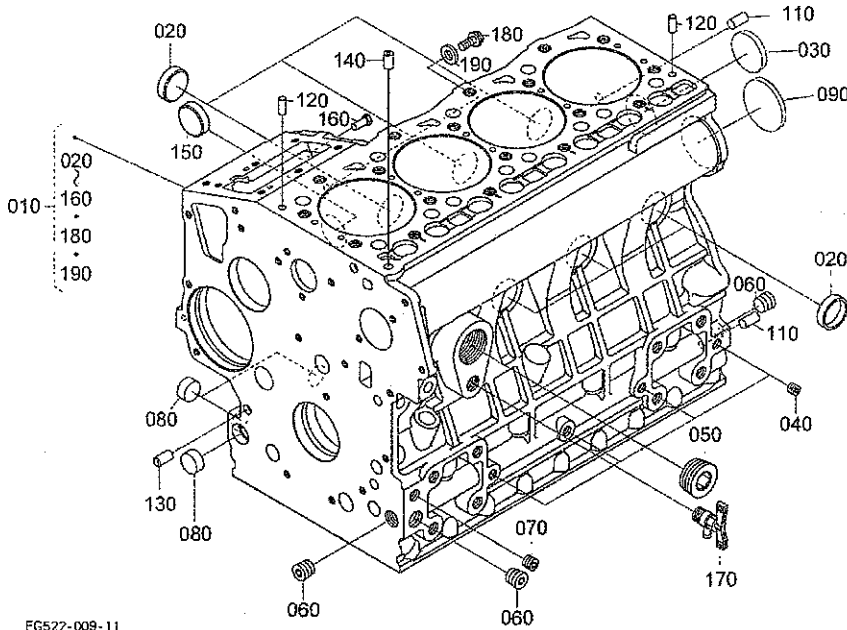
Identifying	1	2	3	4	5	6	7	8	A	B

- ⑧ I. C. Indicates the interchangeability of parts due to design change.
(interchangeability)
- Example-1 ← indicates that a new part can replace an old part, but not vice versa.
15800-0000-0 is applicable to the first serial number to S. No. 15000.
15800-0000-2 is applicable to the first serial number and above.
- Example-2 ≠ indicates that the new and old parts are not interchangeable.
15800-1000-0 is applicable to the first serial number to S. No. 15000.
15800-1000-2 is applicable to S. No. 15001 and above.
- Example-3 ↔ indicates that the new and old parts are interchangeable. Both 15800-2000-0 and
15830-2000-0 are applicable to the first serial number and above.
- ⑨ REMARKS 1 In this column, enter other applicable model names, dimensions and other special items.
The following symbols and abbreviations are used throughout this book.
29*12.00-15 ... Tire size sq.m ... m² sq.mm ... mm²
cu.m ... m³ cu.mm ... mm³ D ... Diameter L ... Length
W/G No. ... Whole goods number.
STD ... Standard SET ... Set sale T ... Teeth
OLD ... Old parts, old shapes or old models
NEW ... New parts, new shapes or new models
- ⑩ REMARKS 2 The following expressions are used in NOTE for each group.
Machines' serial numbers are indicated as follows.
<=15000 Serial number below 15000.
>=15001 Serial number above 15001.
14000 to 15000 Serial number 14000 to 15000.
For some models, the above expressions may also be used REMARKS 1 ⑨.
- ⑪ Fig. No. Indicates the numbers of figures for the parts that are shown in virtual images.
(virtual images) A figure numbers with XX means that there are two or more figures depending on the
sister models or the production lots.

CONTENTS

[WG1605-G-E3-MNTM-1]	
000100	CRANKCASE.....1
000200	OIL PAN.....2
000300	CYLINDER HEAD.....3
000400	GEAR CASE.....4
000500	HEAD COVER.....5
000600	OIL FILTER.....6
000700	DIPSTICK AND GUIDE.....7
010000	MAIN BEARING CASE.....8
010100	CAMSHAFT AND IDLE GEAR SHAFT.....9
010200	PISTON AND CRANKSHAFT.....10
010300	FLYWHEEL.....11
026000	SENSOR.....12
030200	IGNITION COIL.....13
030500	COVER.....14
030800	STOP SOLENOID.....15
040200	ALTERNATOR AND PULLEY.....16
040300	ALTERNATOR [COMPONENT PARTS].....17
040400	STARTER.....18
040500	STARTER [COMPONENT PARTS].....19
040600	OIL SWITCH/THERMOMETER/PLUG.....21
050000	WATER FLANGE AND THERMOSTAT.....22
050100	WATER PUMP.....23
050300	WATER PIPE.....24
050400	FAN.....25
050500	RESERVE TANK.....26
060000	VALVE AND ROCKER ARM.....27
060100	INLET MANIFOLD.....28
060200	EXHAUST MANIFOLD.....29
080600	WIRE HARNESS.....30
080700	ECU.....31
080800	ACCESSORIES AND SERVICE PARTS.....32
080900	LABEL AND OPERATOR'S MANUAL.....33
090001	UPPER GASKET KIT[OPTION].....34
090002	LOWER GASKET KIT[OPTION].....35
090100	METAL KIT[OPTION].....36
090300	PISTON KIT [OPTION].....37
090600	OPTION.....38
091000	DIRECT SALES.....39
■	NUMERICAL INDEX.....40

000100 CRANKCASE
BLOQUE MOTOR
BLOC MOTEUR



EG522-009-11

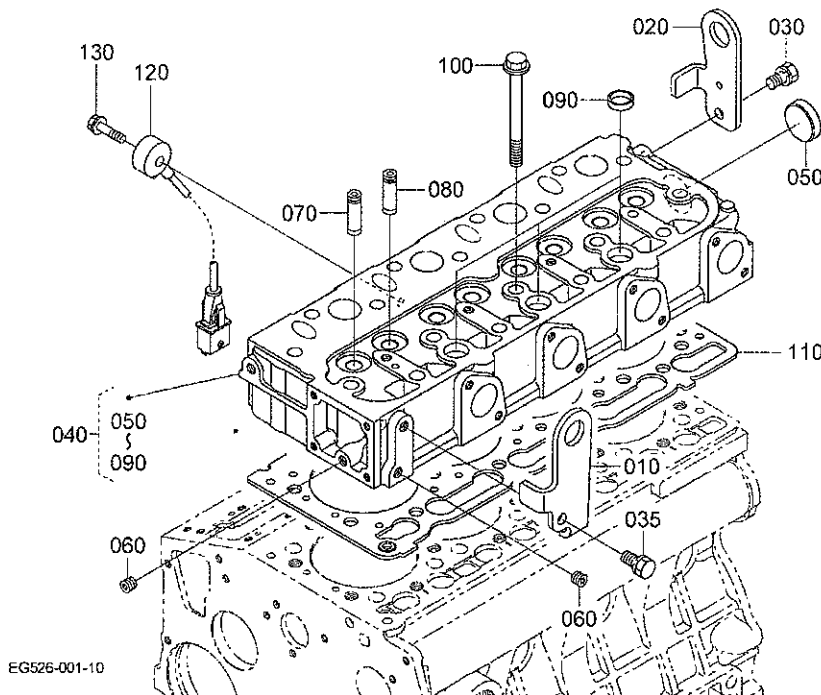
A:WG1605-G-E3-MNTM-1

REF. NO. %: DE REF POS. No.	PART NO. No. REF. REFERENCE	PART NAME	DESCRIPCION	DESIGNATION	Q'TY/S NO	I.C.	REMARKS NOTA REMARQUES
					CANTIDAD/NO DE SERIE Q'TE/No. S		
					A	I.C.	
010	EG522-0104-0	COMP. CRANKCASE	COMP. BLOQUE MOTOR	BLOC MOTEUR COMPLET	1		
020	15451-9627-0	CAP, SEALING	TAPA, SELLADO	PASTILLE	6		
030	15221-0349-0	PLUG, CUP TYPE	TAPA, SELLADO	PASTILLE	1		
040	15261-9601-0	PLUG	TAPON	BOUCHON	4		
050	16683-9602-0	PLUG	TAPON	BOUCHON	1		
060	16241-9601-0	PLUG	TAPON	BOUCHON	3		
070	15521-9602-0	PLUG	TAPON	BOUCHON	2		
080	17391-9616-0	PLUG EXPANSION	TAPON, EXPANSION	BOUCHON EXPANSIBLE	3		
090	16271-9616-0	PLUG EXPANSION	TAPON, EXPANSION	BOUCHON EXPANSIBLE	1		
100	---	BLANK	POSTIZO	BLANC	-		
110	05012-00814	PIN, STRAIGHT	PASADOR	GOUPILLE CYLINDRIQUE	2		
120	05012-00610	PIN, STRAIGHT	PASADOR	GOUPILLE CYLINDRIQUE	2		
130	15231-3396-0	PIN, PIPE	PASADOR, TUBO	GICLEUR	2		
140	16241-3365-0	PIN, PIPE	PASADOR, TUBO	GICLEUR	1		
150	16241-9626-2	PLUG, FUEL CAMSHAFT	TAPON	BOUCHON	1		
160	16221-5628-0	PIN, START SPRING	PASADOR, ARRNO RSRT	GOUPILLE DU RESSORT	1		
170	16871-7302-0	COCK, ASSY	CONJ. GRIFO, VCR	ENS. ROBINET VIDANGE	1		
180	01754-50610	BOLT, FLANGE	TORNILLO, BRIDA	VIS DE BUTEE	1		
190	15601-9665-0	GASKET	JUNTA	JOINT	1		

↔ INTERCHANGEABLE; ≠ NOT INTERCHANGEABLE; ← NEW FOR OLD; → OLD FOR NEW

000300

**CYLINDER HEAD
CILINDRO CULATA
CULASSE**



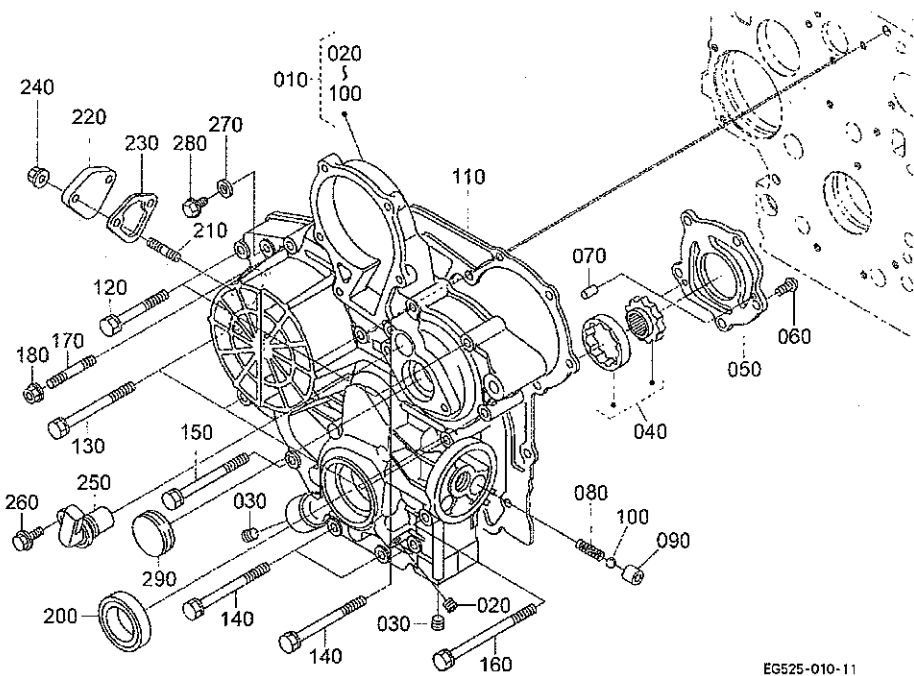
EG526-001-10

A:WG1605-G-E3-MNTM-1

REF NO. No DE REF POS.No.	PART NO. No. REF. REFERENCE	PART NAME	DESCRIPCION	DESIGNATION	Q'TY/S NO. CANTIDAD/No. DE SERIE	I.C.	REMARKS NOTA REMARQUES
					Q'TE/No.S.	I.C.	
010	EG523-0174-0	HOOK,ENGINE	GANCHO,MOTOR	ANNEAU DE LEVAGE	1		
020	EG523-0175-2	HOOK(ENGINE,2)	GANCHO,MOTOR	ANNEAU DE LEVAGE	1		
030	01123-50814	BOLT,SEMS	PERNO	VIS	1		
035	01123-50816	BOLT,SEMS	PERNO	BOULON	1		
040	EG522-0304-0	COMP.CYLINDER HEAD	COMP.CILINDRO CLT	CULASSE COMPLET	1		
050	15321-9626-0	CAP,SEALING	TAPA,SELLADO	PASTILLE	1		
060	15261-9601-0	PLUG	TAPON	BOUCHON	2		
070	16261-1354-0	GUIDE(INLET VALVE)	GUIA,ENTRADA VALVULA	GUIDE SOUP,D'ADMISS.	4		
080	EG523-1356-0	GUIDE,EXHAUST VALVE	GUIA,ESCAPE VALVULA	GUIDE SOUP,D'ECHAP.	4		
090	15261-0337-0	PLUG,CUP TYPE	TAPA,SELLADO	PASTILLE	3		
100	16241-0345-0	BOLT,HEAD(CYLINDER)	TORNILLO,CLNDR CLT	VIS DE CYLINDRE	9		
110	16394-0331-3	GASKET,CYLINDER HEAD	JUNTA,CLNDR CLT	JOINT	1		
120	EG523-0380-0	SENSOR(KNOCK)	SENSOR(GOLPE)	CAPTEUR(DETONATION)	1		
130	EG523-9105-0	BOLT(SENSOR,KNOCK)	PERNO(SENSOR,GOLPE)	BOULON(CAPTEUR DE DETONATION)	1		

↔ INTERCHANGEABLE; ≠ NOT INTERCHANGEABLE; ← NEW FOR OLD; → OLD FOR NEW

**000400 GEAR CASE
ENGRANAJE CAJA
CARTER DE DISTRIBUTION**



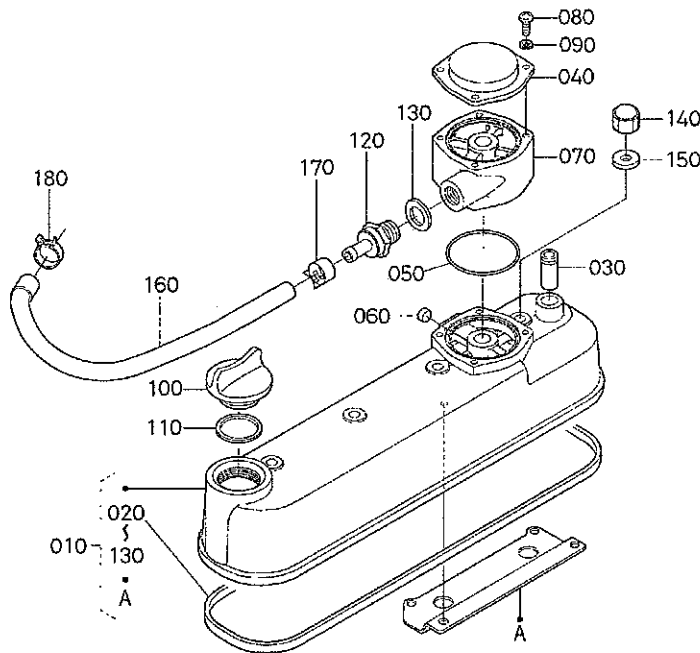
EG525-010-11

A:WG1605-G-E3-MNTM-1

REF. NO. No. SEREF POS.No.	PART NO. No. REF. REFERENCE	PART NAME	DESCRIPCION	DESIGNATION	Q'TY/S.NO. CANTIDAD No. DE SERIE Q'TE/No.S.	I.C. I/C I.C.	REMARKS NOTA REMARQUES
010	EG522-0402-0	COMP.CASE,GEAR	COMP.CAJA,ENGRNJ	CARTER DISTR.COMP.	1		
020	16261-9601-0	PLUG	TAPON	BOUCHON	1		
030	16261-9602-0	PLUG	TAPON	BOUCHON	2		
040	16241-3507-0	ROTOR,ASSY(OIL PUMP)	CONJ.ROTOR,ACT BMB	ROTOR DE POMPE HUILE	1		
050	16251-3513-0	COVER(OIL PUMP)	CUBIERTA,ACT BMB	COUV.POMPE A HUILE	1		
060	03017-50620	SCREW,BINDING(PHILL)	TORNILLO,CR-RC-BD-HD	VIS	5		
070	05012-00410	PIN,STRAIGHT	PASADOR	GOUPILLE CYLINDRIQUE	2		
080	16241-3695-0	SPRING	RESORTE	RESSORT	1		
090	16241-3693-0	SEAT,VALVE	ASIEN TO,VALVULA	SIEGE DE SOUPAPE	1		
100	07715-00201	BALL	BOLA	BILLE	1		
110	16264-0413-2	GASKET,GEAR CASE	JUNTA,ENGRANAJE CAJA	JOINT	1		
120	01023-50645	BOLT,SEMS	BULLONE	VIS	3		
130	01023-50650	BOLT,SEMS	BULLONE	VIS	4		
140	01023-50655	BOLT,SEMS	TORNILLO	VIS	4		
150	01023-50665	BOLT,SEMS	TORNILLO	VIS	1		
160	16241-9104-0	BOLT	TORNILLO	VIS	1		
170	16245-9153-0	STUD	ESPARRAGO	GOUJON	1		
180	02751-50060	NUT,FLANGE	TUERCA,BRIDA	ECROU A EMBASE	1		
190	---	BLANK	POSTIZO	BLANC	-		
200	16259-0421-0	SEAL,OIL	RETEN DE ACEITE	BAGUE JOINT	1		
210	16245-9154-0	STUD	ESPARRAGO	GOUJON	2		
220	15852-5285-0	COVER	CUBIERTA	COUVERCLE	1		
230	16261-5214-0	GASKET(FUEL PUMP)	JUNTA,CMBSTBL BMB	JOINT DE POMP.CARB.	1		
240	02751-50060	NUT,FLANGE	TUERCA,BRIDA	ECROU A EMBASE	2		
250	EG523-6833-2	SENSOR(REVOLUTION)	SENSOR,REVOLUCION	DETECTEUR	1		
260	01754-50616	BOLT,FLANGE	TORNILLO,BRIDA	VIS DE BUTEE	1		
270	15601-9665-0	GASKET	JUNTA	JOINT	1		
280	01053-50612	HEX.BOLT	TORNILLO	VIS	1		
290	16264-8334-2	COVER,GEAR CASE	CUBIERTA,ENGRNJ C.J	COUV. CARTER DISTRIB	1		

↔ INTERCHANGEABLE; ≠ NOT INTERCHANGEABLE; ← NEW FOR OLD; → OLD FOR NEW

000500 HEAD COVER
 CULATA CUBIERTA
 COUVRE-CULASSE



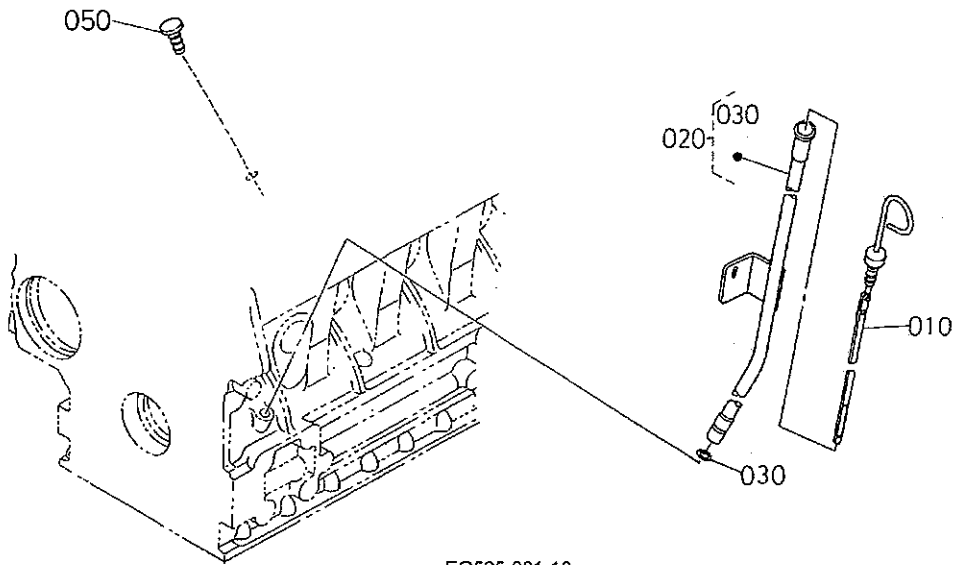
EG522-049-10

A:WG1605-G-E3-MNTM-1

REF NO. No DE REF POS.No.	PART NO. No. REF. REFERENCE	PART NAME	DESCRIPCION	DESIGNATION	Q'TY/S.NO. CANTIDAD/No. DE SERIE Q'TE/No.S.	I.C. I/C I.C.	REMARKS NOTA REMARQUES
010	EG523-1466-0	ASSY HEAD COVER FULL	CONJ.LLENO CUBIERTA	ENS.COUVERCLE FULL	1		
020	16241-1452-0	GASKET,HEAD COVER	JUNTA,CLT CBRT	JOINT COUVRE-CULASSE	1		
030	17331-7334-2	PIPE,WATER RETURN	TUBO,AGUA DEVOLVER	TUYAU RETOUR D'EAU	1		
040	16742-0512-0	COVER,BREATHER	CUBIERTA,RESPIRADERO	COUVERCLE ASPIRATEUR	1		
050	1A021-0543-0	O-RING(BREATHER)	O ARO,RESPIRADERO	JOINT TORIQUE	2		
060	15451-9630-0	CAP,SEALING	TAPA,SELLADO	PASTILLE	1		
070	EG523-1467-0	SPACER(BREATHER)	SEPARADOR	ENTRETOISE	1		
080	03054-50545	SCREW,PAN HEAD(PHILL)	TORNILLO,CCRL-CLT	VIS	4		
090	04512-50050	WASHER,SPRING LOCK	ARANDELA DE MUELLE	RONDELLE GROWER	4		
100	E9151-3314-0	PLUG(OIL FILLER)	TAPON,ACT TPPRS	BOUCHON,REPLIS.H/L	1		
110	1J001-9677-0	O-RING	O ARO	JOINT TORIQUE	1		
120	EG523-0545-0	VALVE,COMP(PCV)	VÁLVULA(PCV)	SOUPAPE(PCV)	1		
130	04724-00160	PACKING	JUNTA	JOINT	1		
140	15952-9233-0	NUT,CAP	TUERCA	ECROU	4		
150	15951-9666-0	GASKET	JUNTA	JOINT	4		
160	EG523-0551-0	TUBE,BREATHER	TUBO,RESPIRADERO	TUBE D'ASPIRATEUR	1		
170	EG523-4275-0	CLAMP,HOSE	ABRAZADERA	COLLIER DE DURITE	1		
180	16241-7336-0	BAND(PIPE)	BANDA,TUBO	COLLIER DE TUYAU	1		

↔ INTERCHANGEABLE; ≠ NOT INTERCHANGEABLE; ← NEW FOR OLD; → OLD FOR NEW

000700 DIPSTICK AND GUIDE
VARILLA DE NIVEL Y GUIA
JAUGE D'HUILE ET GUIDE



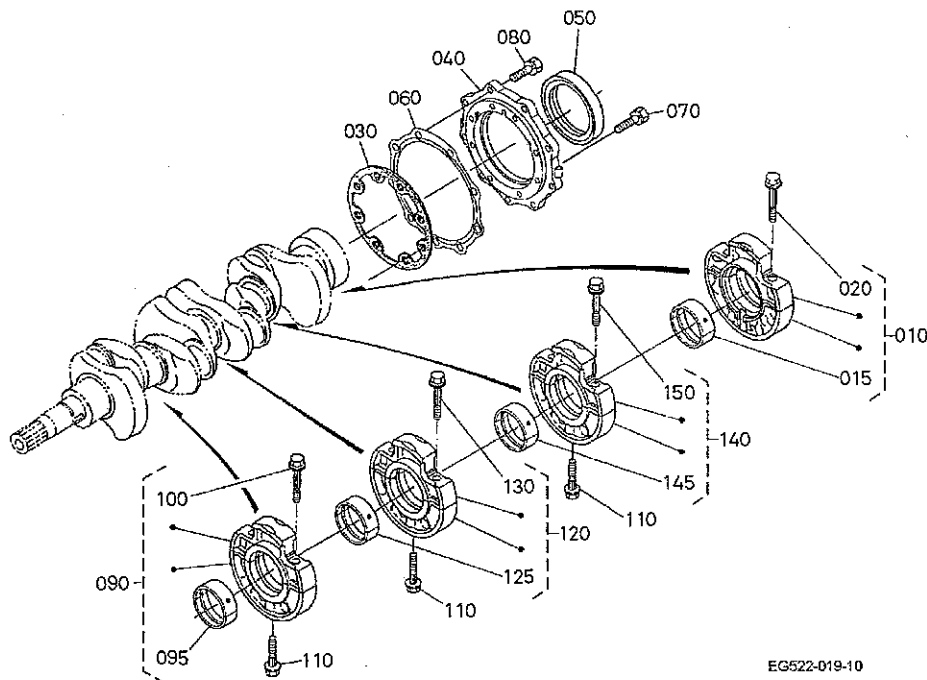
EG525-001-10

A:WG1605-G-E3-MNTM-1

REF. NO. N ^o DE REF. POS. No.	PART NO. No. REF. REFERENCE	PART NAME	DESCRIPCION	DESIGNATION	Q'TY/S. NO. CANTIDAD/NO. DE SERIE Q'TE/No. S.	I.C. I/C I.C.	REMARKS NOTA REMARQUES
010	16611-3641-3	GAUGE, OIL	MEDIDOR, ACEITE	JAUGE D'HUILE	1		
020	16282-3650-0	ASSY GUIDE, OIL GAUGE	CONJ. GUIA, ACT MDDR	ENS. JAUGE ET GUIDE	1		
030	04814-00090	O RING	O ARO	JOINT TORIQUE	1		
040	---	BLANK	POSTIZO	BLANC	1		
050	16513-3655-0	PLUG(OIL GAUGE)	TAPON, ACEITE MEDIDOR	BOUCHON DE JAUGE	1		

↔ INTERCHANGEABLE; ≠ NOT INTERCHANGEABLE; ← NEW FOR OLD; → OLD FOR NEW

**010000 MAIN BEARING CASE
PRINCIPAL RODAMIENTO CAJA
PALIERS DE VILEBREQUIN**



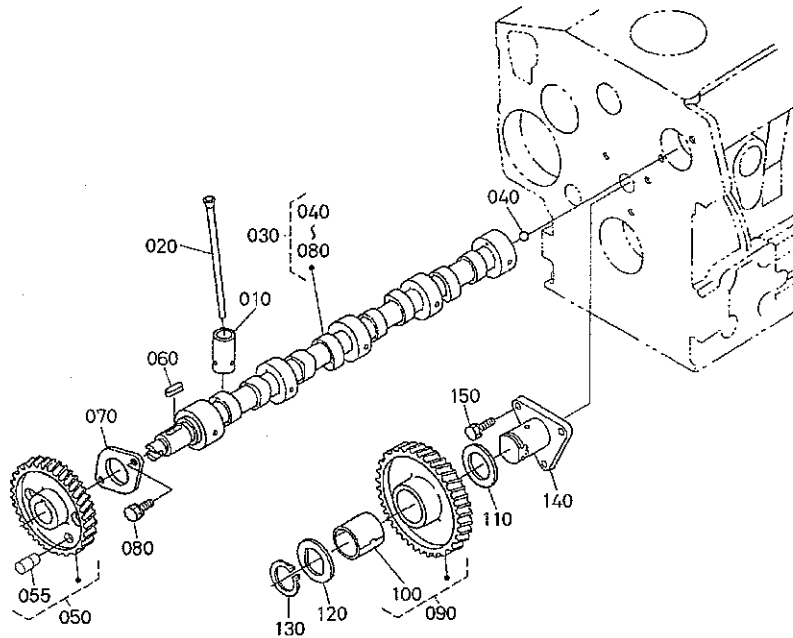
EG522-019-10

A:WG1605-G-E3-MNTM-1

REF NO. N° DE REF POS.No.	PART NO. No. REF. REFERENCE	PART NAME	DESCRIPCION	DESIGNATION	Q'TY/S NO	I.C.	REMARKS NOTA REMARQUES
					CANTIDAD/M DE SERIE Q'TE/No.S.	I/C	
010	16292-0709-5	CASE,BRG,ASSY(WHEEL)	CONJ.PUENTE CJ,RD	ENS.PALIER VILEBREQ.	1		
015	16292-2349-4	METAL,CRANKSHAFT	METAL,CIGUENAL	COUSSINET DE VILEBR.	1		STD/SET
015	16292-2386-4	METAL,CRANKSHAFT	METAL,CIGUENAL	COUSSINET DE VILEBR.	1		-0.20mm/SET
015	16292-2387-4	METAL,CRANKSHAFT	METAL,CIGUENAL	COUSSINET DE VILEBR.	1		-0.40mm/SET
020	16241-0454-0	BOLT(CASE,BRG)	TORNILLO,RDMNT CJ	VIS	2		
030	1J095-0436-0	GASKET,BRG.CASE	JUNTA,PUENTE CAJA	JOINT	1		
040	16241-0481-5	COVER(CASE,BRG)	CUBIERTA,RDMNT CJ	PORTE JOINT	1		
050	16285-0446-0	SEAL,OIL	SELLO	BAGUE JOINT	1		
060	16264-0482-2	GASKET	JUNTA,CAJA CUBIERTA	JOINT DE CARTER FOU	1		
070	1G679-9101-0	BOLT	BULLONE	VIS	8		
080	1G679-9102-0	BOLT	BULLONE	VIS	9		
090	16292-0704-7	ASSY BRG.CASE,MAIN	CONJ.PUENTE	ENS.PALIER VILEBREQ.	1		
095	16292-2348-3	METAL,CRANKSHAFT	METAL,CIGUENAL	COUSSINET DE VILEBR.	1		STD/SET
095	16292-2393-3	METAL,CRANKSHAFT	METAL,CIGUENAL	COUSSINET DE VILEBR.	1		-0.20mm/SET
095	16292-2394-3	METAL,CRANKSHAFT	METAL,CIGUENAL	COUSSINET DE VILEBR.	1		-0.40mm/SET
100	16241-0454-0	BOLT(CASE,BRG)	TORNILLO,RDMNT CJ	VIS	2		
110	16241-0456-0	BOLT(CASE,BRG)	TORNILLO,RDMNT CJ	VIS	3		
120	16292-0705-7	ASSY BRG.CASE,MAIN	CONJ.PUENTE	ENS.PALIER VILEBREQ.	1		
125	16292-2348-3	METAL,CRANKSHAFT	METAL,CIGUENAL	COUSSINET DE VILEBR.	1		STD/SET
125	16292-2393-3	METAL,CRANKSHAFT	METAL,CIGUENAL	COUSSINET DE VILEBR.	1		-0.20mm/SET
125	16292-2394-3	METAL,CRANKSHAFT	METAL,CIGUENAL	COUSSINET DE VILEBR.	1		-0.40mm/SET
130	16241-0454-0	BOLT(CASE,BRG)	TORNILLO,RDMNT CJ	VIS	2		
140	16292-0706-7	ASSY BRG CASE	CONJ.PUENTE	ENS.PALIER VILEBREQ.	1		
145	16292-2348-3	METAL,CRANKSHAFT	METAL,CIGUENAL	COUSSINET DE VILEBR.	1		STD/SET
145	16292-2393-3	METAL,CRANKSHAFT	METAL,CIGUENAL	COUSSINET DE VILEBR.	1		-0.20mm/SET
145	16292-2394-3	METAL,CRANKSHAFT	METAL,CIGUENAL	COUSSINET DE VILEBR.	1		-0.40mm/SET
150	16241-0454-0	BOLT(CASE,BRG)	TORNILLO,RDMNT CJ	VIS	2		

↔ INTERCHANGEABLE; ≠ NOT INTERCHANGEABLE; ← NEW FOR OLD; → OLD FOR NEW

010100 CAMSHAFT AND IDLE GEAR SHAFT
ARBOL DE LEVAS Y PUNTO MUERTO ENGRANAJE EJE
ARBRE A CAMES ET ARBRE DE PIGNON FOU



EG525-013-10

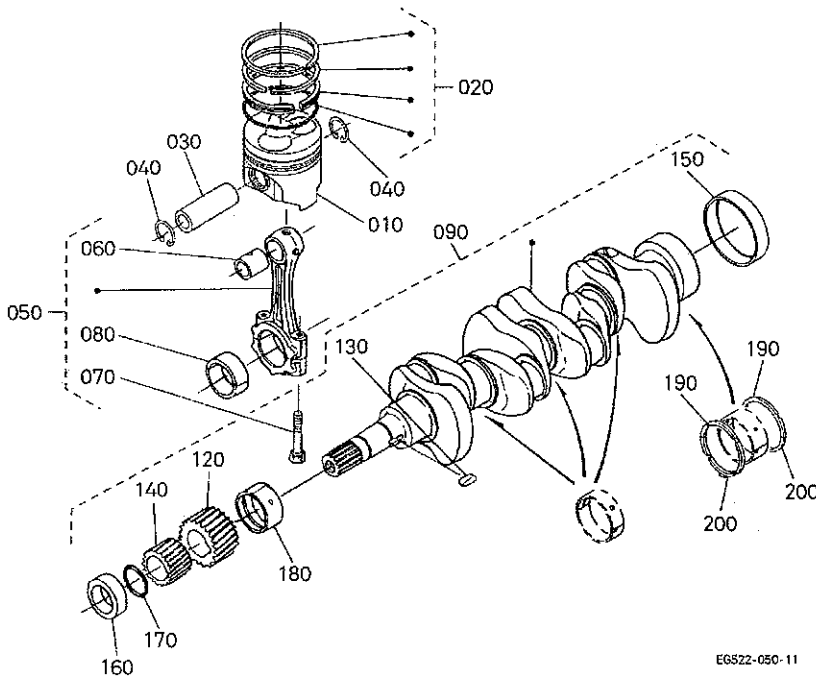
A:WG1605-G-E3-MNTM-1

REF. NO. No. DE REF. POS.No.	PART NO. No. REF. REFERENCE	PART NAME	DESCRIPCION	DESIGNATION	QTY/S NO.	I.C.	REMARKS NOTA REMARQUES
					CANTIDAD DE SERIE QTE/No.S.		
010	16673-1555-0	TAPPET	EMPUJADOR	POUSSOIR	A		
020	16241-1511-4	PUSH ROD	EMPUJAR VARILLA	TIGE DE POUSSOIR	8		
030	EG523-1601-0	ASSY CAMSHAFT	CONJ.ARBOL DE LEVAS	ENS.ARBRE A CAMES	1		
040	07715-00401	BALL 1/4	BOLA	BILLE	1		
050	EG523-1650-0	COMP.GEAR,CAM	COMP.ENGRANAJE,LV	COUVERCLE COMPLET	1		
055	EG523-1693-0	PIN(CAM GEAR)	CLAVIJA(MECANISMO DE LEVAS)	GOUILLE(ENGRENAGE A CAMES)	1		
060	05712-00518	FEATHER KEY	LLAVE,PLUMA	CLAVETTE	1		
070	16241-1627-0	STOPPER(CAMSHAFT)	TAPON,ARBOL DE LEVAS	BOUCHON ARBRE A CAME	1		
080	01023-50616	BOLT,SEMS	PERNO	VIS	2		
090	16271-2401-2	COMP GEAR,IDLE	COMP.ENGRANAJE	PIGNON.COMP	1		
100	16271-2498-2	BUSH,IDLE GEAR	CASQUILLO,PNT	BAGUE DU PIGNON	1		
110	16241-2436-0	COLLAR,IDLE GEAR	COLLARIN,PNT	COLLIER DE PIGNONF.	1		
120	16241-2437-0	COLLAR,IDLE GEAR	COLLARIN,PNT	COLLIER DE PIGNONF.	1		
130	16241-2432-0	CIRCLIP(IDLE GEAR)	ANILLO	CIRCLIP	1		
140	16241-2425-0	SHAFT,IDLE GEAR	EJE,PNT MRT ENGRNJ	ARBRE DE PIGNON FOU	1		
150	01023-50616	BOLT,SEMS	PERNO	VIS	3		

↔ INTERCHANGEABLE; ≠ NOT INTERCHANGEABLE; ← NEW FOR OLD; → OLD FOR NEW

010200

PISTON AND CRANKSHAFT
PISTON Y CIGUENAL
PISTON ET VILEBREQUIN



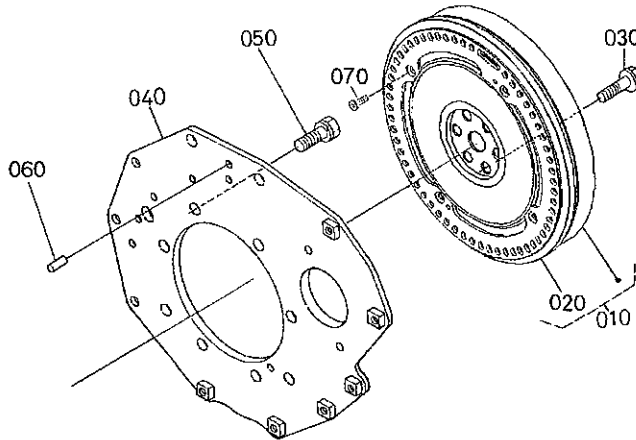
EGS22-050-11

A:WG1605-G-E3-MNTM-1

REF NO. No DE REF POS.No.	PART NO. No. REF. REFERENCE	PART NAME	DESCRIPCION	DESIGNATION	Q'TY/S NO. CANTIDAD/No. DE SERIE Q'TE/No.S.	I.C. I/C I.C.	REMARKS NOTA REMARQUES
					A		
010	EG523-2111-0	PISTON	PISTON	PISTON	4		STD
010	EG523-2191-0	PISTON	PISTON	PISTON	4		+0.50mm
020	EG523-2105-0	ASSY PISTON RING	CONJUNTO PISTON ARO	ENS.SEGMENT	4		STD
020	EG523-2109-0	ASSY PISTON RING	CONJUNTO PISTON ARO	ENS.SEGMENT	4		+0.50mm
030	16241-2131-0	PIN,PISTON	PASADOR,PISTON	AXE DE PISTON	4		
040	16241-2133-0	CIRCLIP(PIN,PISTON)	ANILLO	CIRCLIP	8		
050	16292-2201-6	ROD,CONNECTING,ASSY	CONJ.VARILLA,CNCTND	ENS.BIELLE	4		
060	16700-2198-0	BUSHING(PIN,PISTON)	CASQUILLO,PSTN PSDR	BAGUE DE BIELLE	4		
070	16241-2214-2	BOLT(CONNECTING ROD)	TORNILLO,CNCTND VRL	VIS DE BIELLE	8		
080	16292-2231-0	METAL(PIN,CRANK)	METAL,MUNEQUILLA	COUSSINET DE BIELLE	4		STD/SET
080	16292-2297-2	METAL,CRANKPIN	METAL,MUNEQUILLA	COUSSINET DE BIELLE	4		-0.20mm/SET
080	16292-2298-2	METAL,CRANKPIN	METAL,MUNEQUILLA	COUSSINET DE BIELLE	4		-0.40mm/SET
090	16871-2301-6	COMP.CRANKSHAFT	COMPLETO CIGUENAL	COUSSINET DE LATERAL	1		
100	---	BLANK	POSTIZO	BLANC	-		
110	---	BLANK	POSTIZO	BLANC	-		
120	1A055-2411-0	GEAR(CRANKSHAFT)	ENGRANAJE,CIGUENAL	PIGNON DE VILEBREQ.	1		
130	16271-9523-0	KEY	LLAVE	CLAVETTE	1		
140	1J050-3563-0	GEAR,OIL PUMP DRIVE	ENGRANAJE,ACT	PIGNON ENTRAIN,POMPE	1		
150	16241-2328-0	SLEEVE,CRANKSHAFT	CASQUILLO,CIGUENAL	FRETTE ARRIERE	1		
160	1J050-2325-0	COLLAR,CRANKSHAFT	COLLIER VILEBREQUIN	COLLARIN,CIGUENAL	1		
170	04814-10280	RING	ARO	BAGUE	1		
180	16292-2347-3	METAL(CRANKSHAFT)	METAL,CIGUENAL	COUSSINET DE VILEBR.	1		STD
180	16292-2391-3	METAL(CRANKSHAFT)	METAL,CIGUENAL	COUSSINET DE VILEBR.	1		-0.20mm
180	16292-2392-3	METAL(CRANKSHAFT)	METAL,CIGUENAL	COUSSINET DE VILEBR.	1		-0.40mm
190	15521-2353-3	METAL,SIDE	METAL,LADO	COUSSINET DE LATERAL	2		STD
190	15521-2395-3	METAL,SIDE	METAL,LADO	COUSSINET DE LATERAL	2		+0.20mm
190	15521-2396-3	METAL,SIDE	METAL,LADO	COUSSINET DE LATERAL	2		+0.40mm
200	19202-2354-3	METAL,SIDE	METAL,LADO	COUSSINET DE LATERAL	2		STD
200	19202-2397-3	METAL,SIDE	METAL,LADO	COUSSINET DE LATERAL	2		+0.20mm
200	19202-2398-3	METAL,SIDE	METAL,LADO	COUSSINET DE LATERAL	2		+0.40mm

↔ INTERCHANGEABLE; ≠ NOT INTERCHANGEABLE; ← NEW FOR OLD; → OLD FOR NEW

**010300 FLYWHEEL
VOLANTE
VOLANT MOTEUR**



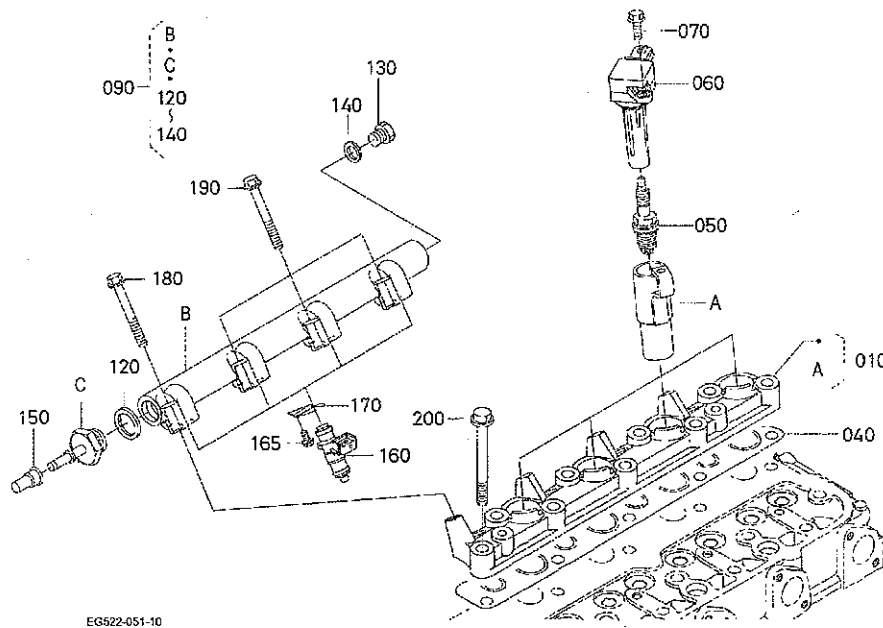
EG525-007-10

A:WG1605-G-E3-MNTM-1

REF NO. No. DE REF. POS.No.	PART NO. No. REF. REFERENCE	PART NAME	DESCRIPCION	DESIGNATION	Q'TY/S. NO. CANTIDAD/No. DE SERIE	I.C. I/C I.C.	REMARKS NOTA REMARQUES
					Q'TE/No.S. A		
010	EG523-2501-0	COMP.FLYWHEEL	COMPLETO VOLANTE	VOLANT MOTEUR COMP.	1		
020	1G081-6382-0	GEAR,RING	ENGRANAJE,ARO	COURONNE DE DEMARRE.	1		
030	16241-2516-0	BOLT,FLYWHEEL	TORNILLO,VOLANTE	VIS DE VOLANT	6		
040	EG522-0462-0	PLATE,REAR END	PLACA,TRASERO FIN	PLAQUE ARRIERE-TRAIN	1		
050	15261-9119-0	BOLT	TORNILLO	VIS	8		
060	05012-00512	PIN,STRAIGHT	PASADOR	GOUILLE CYLINDRIQUE	2		
070	03016-50616	SCREW,FLAT HEAD(PHIL)	TORNILLO	VIS	4		

↔ INTERCHANGEABLE; ≠ NOT INTERCHANGEABLE; ← NEW FOR OLD; → OLD FOR NEW

030200 IGNITION COIL ENCENDIDO BOBINA BOBINE D'ALLUMAGE



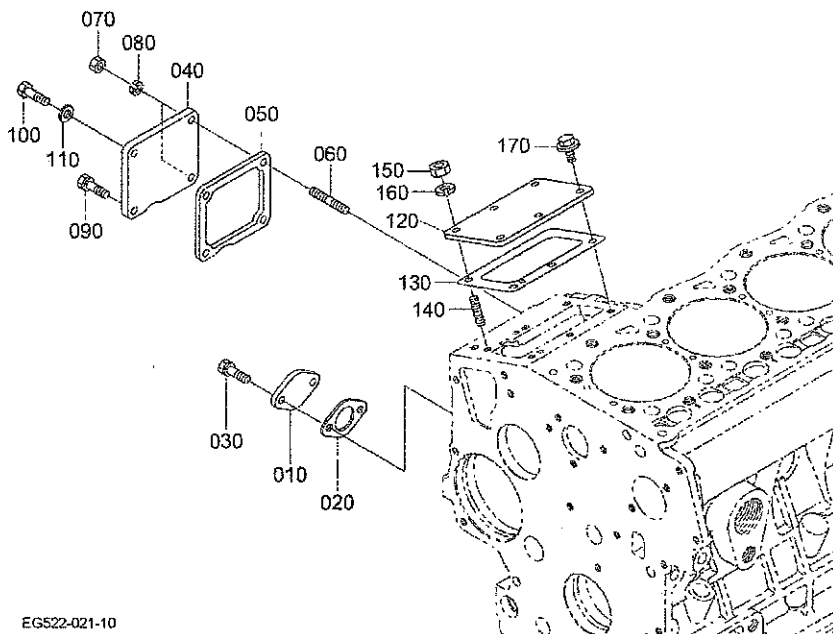
EG522-051-10

A:WG1605-G-E3-MNTM-1

REF NO. No DE REF POS.No.	PART NO. No. REF. REFERENCE	PART NAME	DESCRIPCION	DESIGNATION	Q'TY/S. NO.	I.C.	REMARKS NOTA REMARQUES
					CAVIDAD/NO. DE SERIE Q'TE/No.S.		
010	EG522-4500-0	FLANGE,COMP INJECTOR	BRIDA, COMP.	FLASQUE, COMP.	1		
020	----	BLANK	POSTIZO	BLANC	-		
030	----	BLANK	POSTIZO	BLANC	-		
040	EG522-4505-0	GASKET (FLANGE)	JUNTA (BRIDA)	JOINT D'ÉTANCHEITÉ (BRIDE)	1		
050	EG523-6771-0	SPARK PLUG	CHISPA TAPON	D'ALLUMAGÉ	4		
060	EG523-6709-0	COIL (IGNITION)	BOBINA, ENCENDIDO	BOBINE D'ALLUMAGE	4		
070	01754-50616	BOLT, FLANGE	TORNILLO, BRIDA	VIS DE BUTEE	4		
080	----	BLANK	POSTIZO	BLANC	-		
090	EG522-4403-0	ASSY PIPE, DELIVERY	CONJ. TUBO, ENTRG	TUYAU DE REFOU. COMP.	1		
100	----	BLANK	POSTIZO	BLANC	-		
110	----	BLANK	POSTIZO	BLANC	-		
120	04724-00200	PACKING	JUNTA	JOINT	1		
130	06331-35012	PLUG	TAPON	BOUCHON	1		
140	04724-00120	GASKET	JUNTA	JOINT	1		
150	EG522-4264-0	CAP (FUEL)	TAPA, COMBUSTIBLE	BOUCHON DE RESERVOIR	1		
160	EG522-4402-0	INJECTOR	INYECTOR	INJECTEUR	4		
165	01754-50612	BOLT, FLANGE	TORNILLO, BRIDA	VIS DE BUTEE	4		
170	EG522-4412-0	STOPPER (INJECTOR)	TOPE	BUTÉE	4		
180	01754-50630	BOLT, FLANGE	TORNILLO, BRIDA	VIS DE BUTEE	1		
190	01754-50645	BOLT, FLANGE	TORNILLO, BRIDA	VIS DE BUTEE	3		
200	EG523-0345-0	BOLT, CYLINDER HEAD	TORNILLO, CLNDR CLT	VIS DE CYLINDRE	9		

↔ INTERCHANGEABLE; ≠ NOT INTERCHANGEABLE; ← NEW FOR OLD; → OLD FOR NEW

030500 COVER CUBIERTA COUVERCLE



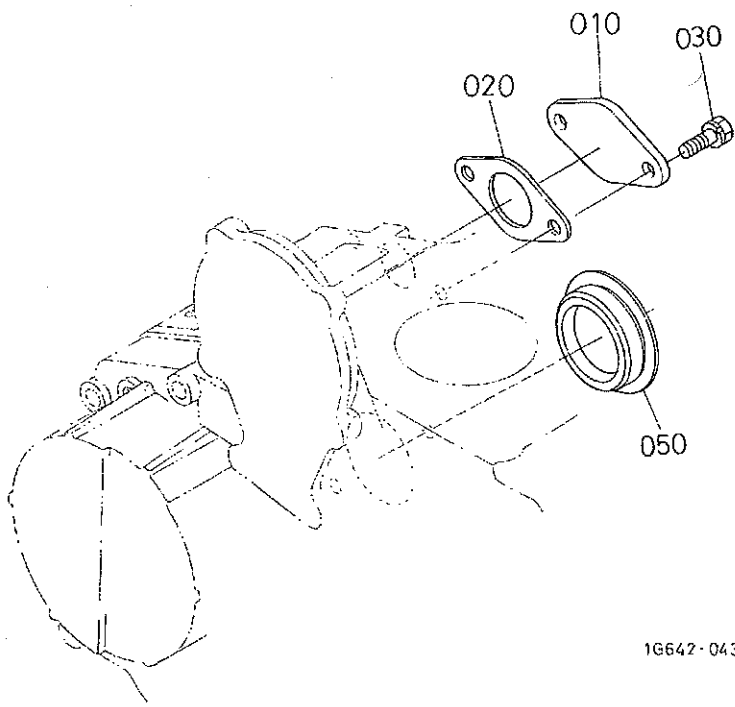
EG522-021-10

A:WG1605-G-E3-MNTM-1

REF. NO. No. DE REF. POS. No.	PART NO. No. REF. REFERENCE	PART NAME	DESCRIPCION	DESIGNATION	Q'TY/S. NO. CANTIDAD/NO. DE SERIE	I.C.	REMARKS NOTA REMARQUES
					A	I.C.	
010	16241-5625-3	COVER, FORK LEV. SHAFT	CUBIERTA, BFRCCN	COUV. FOURCHE ARBRE	1		
020	16299-5626-0	GASKET	JUNTA	JOINT	1		
030	01023-50612	BOLT, SEMS	PERNO	VIS	2		
040	15668-5711-0	COVER	CUBIERTA	COUVERCLE	1		
050	16264-5721-0	GASKET	JUNTA	JOINT	1		
060	16245-9154-0	STUD	ESPARRAGO	GOUJON	2		
070	02056-50060	HEX. NUT	TUERCA	ECROU	2		
080	04512-50060	WASHER, SPRING LOCK	ARANDELA DE MUELLE	RONDILLE GROWER	2		
090	01023-50612	BOLT, SEMS	PERNO	VIS	1		
100	01053-50616	HEX. BOLT	BULLONE	VIS	1		
110	15601-9665-0	GASKET	JUNTA	JOINT	1		
120	EG523-0193-0	COVER, INJECTION PUMP	CUBIERTA, INYCCN BMB	COUVERCLE FILTRE D'	1		
130	16040-5209-2	SHIM, INJECTION	SUPLEMENTO, INYCCN	CALE, POMPE INJECTION	1	0.200mm	
140	15841-9150-0	STUD	ESPARRAGO	GOUJON	3		
150	02014-50060	HEX. NUT	TUERCA	ECROU	3		
160	04512-50060	WASHER, SPRING LOCK	ARANDELA DE MUELLE	RONDILLE GROWER	3		
170	01754-50612	BOLT, FLANGE	TORNILLO, BRIDA	VIS DE BUTEE	3		

↔ INTERCHANGEABLE; ≠ NOT INTERCHANGEABLE; ← NEW FOR OLD; → OLD FOR NEW

030800 STOP SOLENOID
PARAR SOLENOIDE
SOLENOIDE D'ARRET

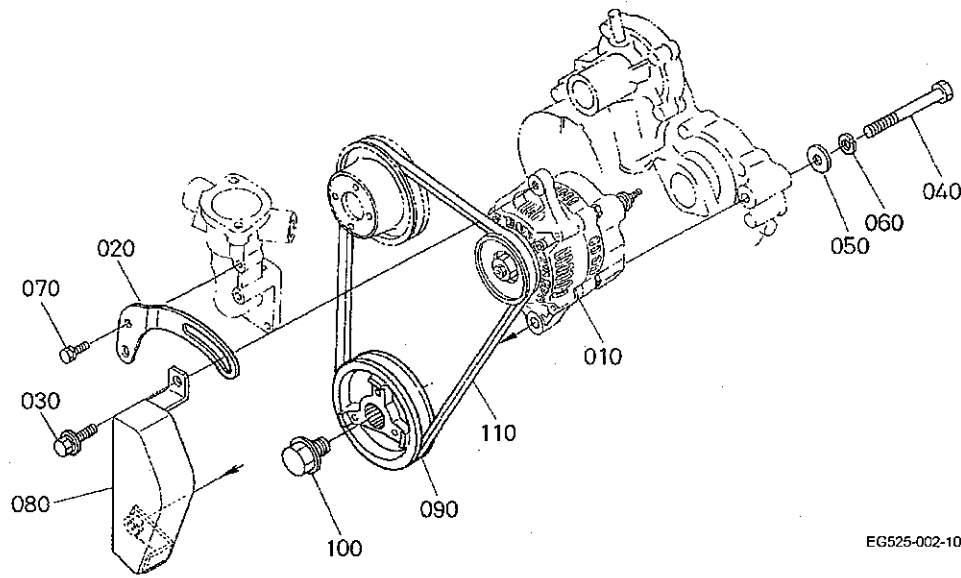


A:WG1605-G-E3-MNTM-1

REF NO. No DE REF POS.No.	PART NO. No. REF. REFERENCE	PART NAME	DESCRIPCION	DESIGNATION	Q'TY/S. NO. CANTIDAD/No. DE SERIE	I.C. I/C	REMARKS NOTA REMARQUES
					Q'TE/No.S.	I.C.	
010	16231-6011-0	COVER,SOLENOID	CUBIERTA,SOLENOIDE	COUVERCLE	A	1	
020	16299-6015-0	GASKET	JUNTA	JOINT		1	
030	01023-50616	BOLT,SEMS	PERNO	VIS		2	
040	----	BLANK	POSTIZO	BLANC		-	
050	16264-8315-3	COVER,HYDRAULIC PUMP	CUBIERTA,HDRLC BMB	COUVERCLE,POMPE HYD.		1	

↔ INTERCHANGEABLE; ≠ NOT INTERCHANGEABLE; ← NEW FOR OLD; → OLD FOR NEW

040200 ALTERNATOR AND PULLEY
ALTERNADOR Y POLEA
ALTERNATEUR ET POULIE

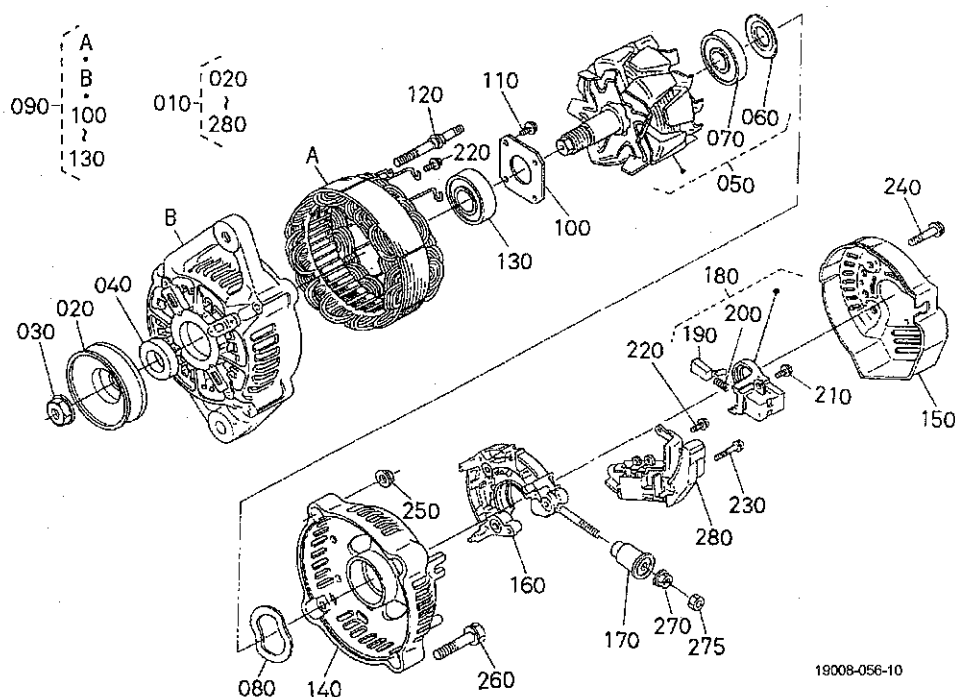


A:WG1605-G-E3-MNTM-1

REF NO. No DE REF POS.No.	PART NO. No. REF. REFERENCE	PART NAME	DESCRIPCION	DESIGNATION	Q'TY/S. NO. CANTIDAD/NO. DE SERIE Q'TE/No. S.		REMARKS NOTA REMARQUES
					I.C. I/C I.C.	I.C. I/C I.C.	
010	16678-6401-2	ASSY ALTERNATOR	CONJUNTO ALTERNADOR	ALTERNATEUR COMPLET	1		
020	16241-6442-2	STAY,DYNAMO	SOPORTE,DINAMO	TENDEUR	1		
030	01127-50830	BOLT,W SEMS(LARGE WA	BULLONE	VIS	1		
040	01173-51085	HEX.BOLT	TORNILLO	VIS	1		
050	04011-50100	WASHER,PLAIN	ARANDELA,SIMPLE	RONDELLE FREIN	1		
060	04512-50100	WASHER,SPRING LOCK	ARANDELA DE MUELLE	RONDELLE GROWER	1		
070	01023-50616	BOLT,SEMS	PERNO	VIS	1		
080	16616-1386-0	COVER,BELT	CORREA CUBIERTA	COUV.DE COURROIE	1		
090	16249-7428-0	PULLEY,FAN DRIVE	POLEA,VNTLDR ACCNR	POULIE ENTRAIN.VENT.	1		
100	16241-9102-0	BOLT(FAN DRIVE)	TORNILLO,VNTLDR	VIS	1		
110	16241-9701-3	V BELT	CORREA DE VENTILADOR	COURROIE VENTILATEUR	1		37.0IN

↔ INTERCHANGEABLE; ≠ NOT INTERCHANGEABLE; ← NEW FOR OLD; → OLD FOR NEW

040300 ALTERNATOR [COMPONENT PARTS] ALTERNADOR [COMPONENTE PIEZAS] ALTERNATEUR [PARTIES COMPOSANTES]



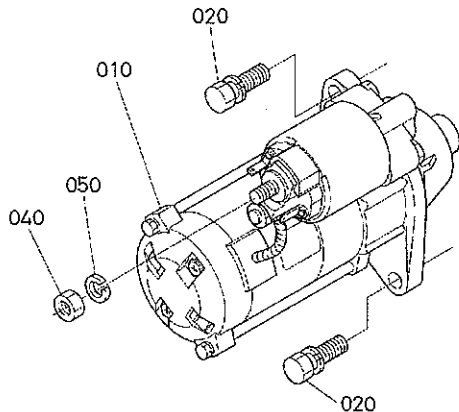
19008-056-10

A:WG1605-G-E3-MNTM-1

REF NO. No. DE REF. POS.No.	PART NO. No. REF. REFERENCE	PART NAME	DESCRIPCION	DESIGNATION	Q'TY/S.NO. CANTIDAD/No. DE SERIE Q'TE/No. S.	I.C. I/C I.C.	REMARKS NOTA REMARQUES
010	16678-6401-2	ASSY ALTERNATOR	CONJUNTO ALTERNADOR	ALTERNATEUR COMPLET	1		
020	15881-6411-0	PULLEY(DYNAMO)	POLEA,DINAMO	POULIE D'ALTERNATEUR	1		
030	15881-9201-0	NUT	TUERCA	ECROU	1		
040	15881-6415-0	COLLAR	COLLAR	COLLIER	1		
050	66436-6404-0	ROTOR	ROTOR	ROTOR	1		
060	15881-6480-0	COVER(BEARING)	CUBIERTA,RODAMIENTO	COUVERCLE	1		
070	16652-6477-0	BRG,BALL	RODAMIENTO	ROULEMENT A BILLES	1		
080	15881-6481-0	WASHER(THRUST)	ARANDELA,EMPUJE	RONDELLE DE BUTEE	1		
090	66436-6402-0	FRAME,ASSY(DRIVE END)	BASTIDOR,ACCNR FN	BATI	1		
100	15881-6471-0	PLATE(RETAINER)	PLACA,RETENEDOR	PLAQUE RETENUE	1		
110	15881-9301-0	SCREW,RD HD	TORNILLO,RDND CLT	VIS A TETE RONDE	4		
120	15881-6426-0	BOLT(THROUGH)	TORNILLO,A TRAVES	VIS,PASSANT	2		
130	16652-6478-0	BRG,BALL	RODAMIENTO	ROULEMENT A BILLES	1		
140	16678-6406-0	FRAME, END	BASTIDOR,FIN	BATI	1		
150	16678-6423-0	COVER,END	CUBIERTA,FIN	PALIER ARRIERE	1		
160	15881-6485-0	ASSY RECTIFIER	CONJ.RECTIFICADOR	REDRESSEUR	1		
170	15881-6490-0	BUSHING(INSULATION)	CASQUILLO,ASLMNT	BAGUE ISOLANTE	1		
180	16652-6431-0	HOLDER(BRUSH)	SOPORTE,ESCOBILLA	PORTE-BALAI	1		
190	15881-6409-0	BRUSH	ESCOBILLA	PATTE D'ATTACHE	2		
200	15881-6433-0	SPRING(BRUSH)	RESORTE,ESCOBILLA	RESSORT DE BALAI	2		
210	15881-9302-0	SCREW,RD HD	TORNILLO,RDND CLT	VIS A TETE RONDE	2		
220	15881-9303-0	SCREW,RD HD	TORNILLO,RDND CLT	VIS A TETE RONDE	6		
230	15881-9304-0	SCREW,RD HD	TORNILLO,RDND CLT	VIS A TETE RONDE	1		
240	15881-9104-0	BOLT	TORNILLO	VIS	3		
250	15881-9202-0	NUT	TUERCA	ECROU	2		
260	15881-9105-0	BOLT	TORNILLO	VIS	2		
270	14182-9203-0	NUT	TUERCA	ECROU	1		
275	02014-50060	HEX.NUT	TUERCA	ECROU	1		
280	16652-6460-0	ASSY REGULATOR	CONJUNTO REGULADOR	REGULATEUR	1		

↔ INTERCHANGEABLE; ≠ NOT INTERCHANGEABLE; ← NEW FOR OLD; → OLD FOR NEW

040400 STARTER MOTOR DE ARRANQUE DEMARREUR



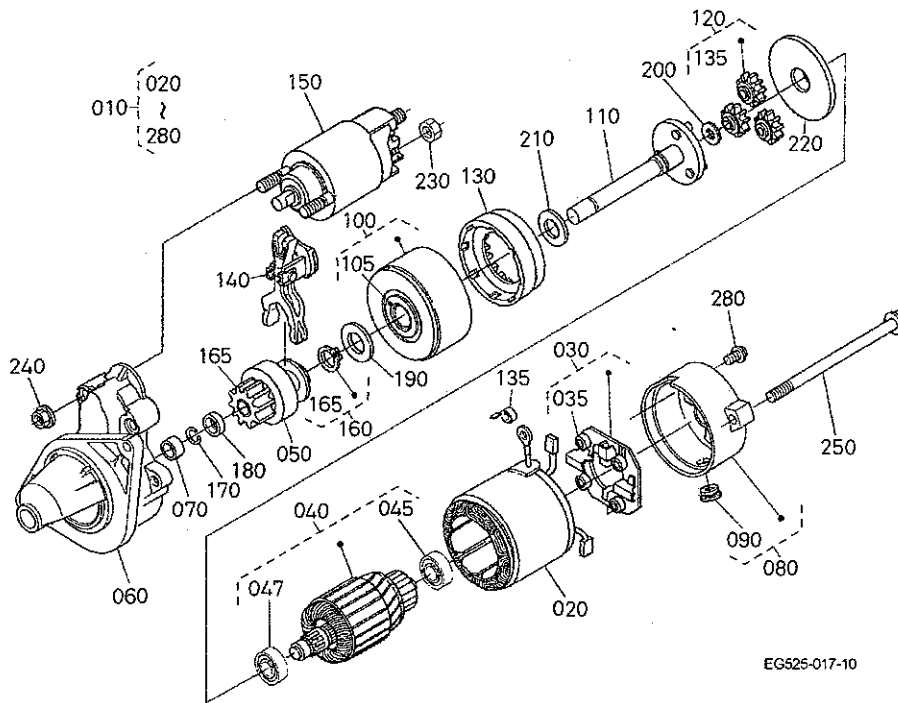
EG525-003-10

A:WG1605-G-E3-MNTM-1

REF. NO. No. REF. POS. No.	PART NO. No. REF. REFERENCE	PART NAME	DESCRIPCION	DESIGNATION	Q'TY/S. NO.	I.C.	REMARKS NOTA REMARQUES
					CANTIDAD/No. DE SERIE Q'TE/No. S.		
					A	I.C.	
010	EG523-6301-0	ASSY STARTER	CONJ.MOTOR ARRANQUE	ENS.DEMARREUR	1		
020	01123-50830	BOLT,SEMS	PERNO	VIS	2		
030	---	BLANK	POSTIZO	BLANC			
040	02114-50080	HEX.NUT	TUERCA	ÉCROU	1		
050	04512-50080	WASHER,SPRING LOCK	ARANDELA DE MUELLE	RONDELLE GROWER	1		

↔ INTERCHANGEABLE; ≠ NOT INTERCHANGEABLE; ← NEW FOR OLD; → OLD FOR NEW

040500 STARTER [COMPONENT PARTS]
MOTOR DE ARRANQUE [COMPONENTE PIEZAS]
DEMARREUR [PARTIES COMPOSANTES]



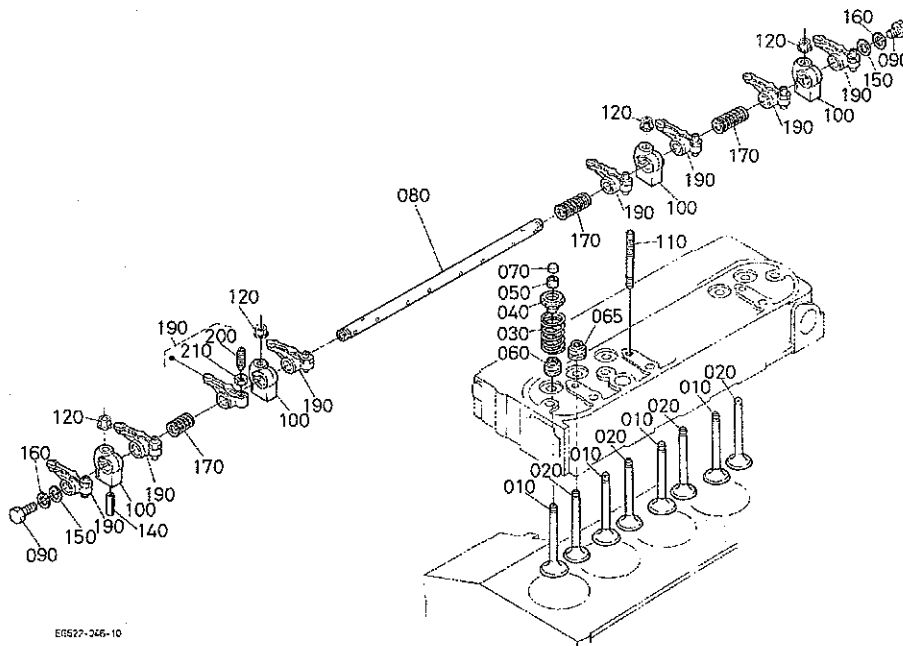
EG525-017-10

A:WG1605-G-E3-MNTM-1

REF NO. N. DE REF. POS.No.	PART NO. No. REF. REFERENCE	PART NAME	DESCRIPCION	DESIGNATION	Q'TY/S NO.	I.C.	REMARKS NOTA REMARQUES
					CANTIDAD/NO. DE SERIE Q'TE/No.S.	I/C	
					A		
010	EG523-6301-0	ASSY STARTER	CONJ.MOTOR ARRANQUE	ENS.DEMARREUR	1		
020	6A100-3116-0	YOKÉ,ASSY(STARTER)	CONJ.YUGO,MTR ARRNO	ENS.FOURCHE	1		
030	14958-6338-0	HOLDER,ASSY	CONJUNTO SOPORTE	ENS.SUPPORT	1		
035	14958-6348-0	SPRING,BRUSH	RESORTE,ESCOBILLA	RESSORT DE BALAI	4		
040	6A100-3117-0	ARMATURE,ASSY	CONJUNTO INDUCIDO	ENS.ARMATURE	1		
045	15504-6353-0	BEARING,BALL	RODAMIENTO	ROULEMENT A BILLES	1		
047	15504-6350-0	BEARING,BALL	RODAMIENTO	ROULEMENT A BILLES	1		
050	K3511-8143-0	CLUTCH,ASSY(STARTER)	CONJ.EMBRAGUE	ENS.EMBRAYAGE	1		
060	EG523-3118-0	ASSY HOUSING,STARTER	CONJ.CARCASA	ENS.CARTER DEMARREUR	1		
070	6A100-3119-0	BEARING	RODAMIENTO	ROULEMENT	1		
080	EG515-6345-0	ASSY FRAME	CONJUNTO BASTIDOR	ENS.CHASSIS	1		
090	12182-6329-0	COVER	CUBIERTA	COUVERCLE	1		
100	14958-6353-0	BEARING,SUB-ASSY	CONJUNTO RODAMIENTO	ENS ROULEMENT	1		
105	14958-6306-0	BEARING	RODAMIENTO	ROULEMENT	1		
110	K3511-8146-0	SHAFT,SUB-ASSY(STARTER)	CONJ.EJE,MTR D ARRNO	ENS.ARBRE	1		
120	14958-6326-0	GEAR	ENGRANAJE	ENGRENAGE	3		
130	14958-6327-0	GEAR	ENGRANAJE	ENGRENAGE	1		
135	15401-6339-0	SPRING(BRUSH)	RESORTE,ESCOBILLA	RESSORT DE BALAI	4		
140	14958-6305-0	LEVER	PALANCA	LEVIER	1		
150	EG371-6308-0	SWITCH(MAGNETIC)	CONJ.CONMUTADOR	SOLENOIDE	1		
160	14958-6317-0	CIRCLIP	ARO,BRCH D PRSN	BAGUE ELASTIQUE	1		
165	17311-6328-0	GEAR(PINION)	ENGRANAJE,PINON	PIGNON	1		
170	12181-6322-0	CIRCLIP	ARO,BRCH D PRSN	BAGUE ELASTIQUE	1		
180	13816-6346-0	COLLAR	COLLAR	COLLIER	1		
190	14958-9401-0	WASHER,PLAIN	ARANDELA,SIMPLE	RONDELLE FREIN	1		
200	14958-9402-0	WASHER,PLAIN	ARANDELA,SIMPLE	RONDELLE FREIN	1		
210	14958-9403-0	WASHER,PLAIN	ARANDELA,SIMPLE	RONDELLE FREIN	1		
220	14958-9404-0	PLATE	PLACA	PLAQUE	1		
230	16611-9202-0	NUT	TUERCA,HEXAGONO	ECROU HEXAGONAL	1		
240	14278-9201-0	NUT	TUERCA	ECROU	2		

↔ INTERCHANGEABLE; ≠ NOT INTERCHANGEABLE; ← NEW FOR OLD; → OLD FOR NEW

060000 VALVE AND ROCKER ARM VALVULA Y BALANCIN BRAZO SOUPAPES ET CULBUTEURS

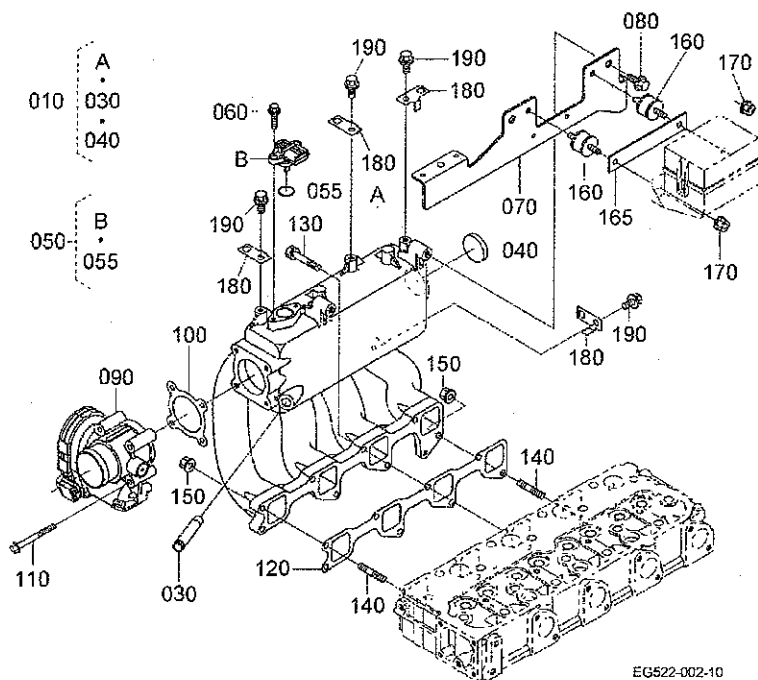


A:WG1605-G-E3-MNTM-1

REF NO. No DE REF POS.No.	PART NO. No. REF. REFERENCE	PART NAME	DESCRIPCION	DESIGNATION	QTY/S NO.	I.C.	REMARKS NOTA REMARQUES
					CANTIDAD/No. S.	I/C	
					A	I.C.	
010	EG523-1311-0	VALVE, INLET	VALVULA, ENTRADA	SOUPAPE D'ADMISSION	4		
020	EG523-1312-0	VALVE, EXHAUST	VALVULA, ESCAPE	SOUPAPE D'ECHAPMENT	4		
030	15261-1324-0	SPRING, VALVE	RESORTE, VALVULA	RESSORT DE SOUPAPE	8		
040	16261-1333-0	RETAINER (SPRING)	RETENEDOR, RESORTE	ARRETOIR DE RESSORT	8		
050	15261-1336-0	COLLET, VALVE SPRING	ENGASTE, VLVL RSRT	DEMI CLAVETTE	8		SET
060	10010-1315-0	SEAL (VALVE STEM)	RETEN, VLVL VSTG	JOINT DE SOUPAPE	4		
065	EG523-1315-0	SEAL, VALVE STEM	RETEN, VLVL VSTG	JOINT DE SOUPAPE	4		
070	16241-1328-0	CAP (VALVE)	TAPA, VALVULA	CHAPEAU DE SOUPAPE	8		
080	16241-1426-6	SHAFT, ROCKER ARM	EJE, BALANCIN BRAZO	ARBRE DE CULBUTEUR	1		
090	01754-50610	BOLT, FLANGE	TORNILLO, BRIDA	VIS DE BUTEE	2		
100	16241-1435-0	BRACKET (ARM, ROCKER)	SOPORTE, BLNCN BRZ	SUPPORT DE CULBUTEUR	4		
110	16241-1441-0	STUD	ESPARRAGO	GOUJON	4		
120	1J095-9201-0	NUT, FLANGE	TUERCA, BRIDA	ECROU A EMBASE	4		
130	---	BLANK	POSTIZO	BLANC	-		
140	05411-00428	PIN, SPRING	PASADOR, RESORTE	GOUPILLE-RESSORT	1		
150	16241-1443-0	WASHER (R-ARM, SHAFT)	ARANDELA, BLNCN-BRZ	RONDELLE	2		
160	15841-9402-2	WASHER, PLAIN	ARANDELA, SIMPLE	RONDELLE FREIN	2		
170	16241-1431-0	SPRING (ARM, ROCKER)	RESORTE	RESSORT DE CULBUTEUR	3		
180	---	BLANK	POSTIZO	BLANC	-		
190	16241-1403-2	ARM, ROCKER, ASSY	CONJ. BALANCIN BRZ	ENS. CULBUTEURS	8		
200	16241-1423-0	SCREW (ADJUSTING)	TORNILLO, AJUSTE	VIS DE REGLAGE	8		
210	16241-1424-0	NUT	TUERCA	ECROU	8		

↔ INTERCHANGEABLE; ≠ NOT INTERCHANGEABLE; ← NEW FOR OLD; → OLD FOR NEW

060100 INLET MANIFOLD ENTRADA COLECTOR COLLECTEUR D'ADMISSION



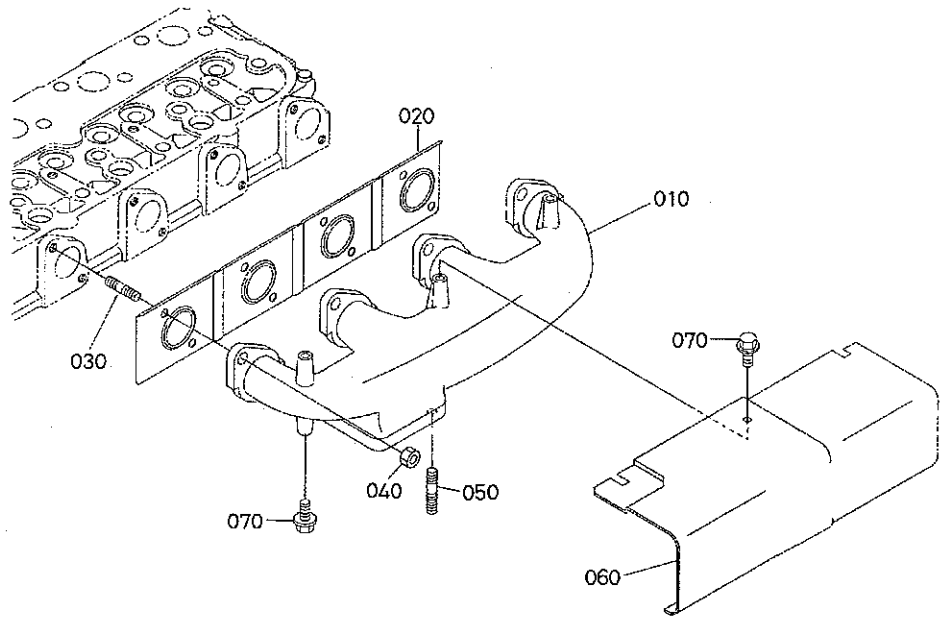
EG522-002-10

A:WG1605-G-E3-MNTM-1

REF. NO. No DE REF POS.No	PART NO. No. REF. REFERENCE	PART NAME	DESCRIPCION	DESIGNATION	Q'TY/S. NO. CANTIDAD/NO. DE SERIE	I.C.	REMARKS NOTA REMARQUES
					A	I/C I.C.	
010	EG523-1181-2	MANIFOLD,COMP(INLET)	COMP.COLECTOR,ENTRD	ENS.COLLECTEUR D'AD.	1		
020	---	BLANK	POSTIZO	BLANC	-		
030	EG523-0555-0	JOINT(BREATHER TUBE)	UNIÓN(TUBO DE RESPIRACIÓN)	JOINT(TUBE RENIFLARD)	1		
040	15221-0349-0	PLUG,CUP TYPE	TAPA,SELLADO	PASTILLE	1		
050	EG523-4480-0	SENSOR(TMAP)	SENSOR(TMAP)	CAPTEUR(TMAP)	1		
055	EG523-9677-0	O RING	ARO	BAGUE	1		
060	EG523-9106-0	BOLT,FLANGE	TORNILLO,BRIDA	VIS DE BUTEE	2		
070	EG523-6520-0	BRACKET	SOPORTE	SUPPORT	1		
080	01754-50816	BOLT,FLANGE	TORNILLO,BRIDA	VIS DE BUTEE	2		
090	EG523-4400-0	BODY,THROTTLE,COMP	CUERPO,REGULADOR,COMP	CORPS DE PAPILLON,COMP	1		
100	EG523-4611-0	GASKET(THROTTLE)	JUNTA(REGULADOR)	JOINT D'ÉTANCHEITÉ(OBTURATEUR)	1		
110	01754-50645	BOLT,FLANGE	TORNILLO,BRIDA	VIS DE BUTÉE	4		
120	EG523-1182-0	GASKET(INLET)	JUNTA	JOINT DE ADMISSION	1		
130	01023-50625	BOLT,SEMS	BULLONE	VIS	6		
140	01513-50625	BOLT,STUD	ESPARRAGO	GOUJON	2		
150	02751-50060	NUT,FLANGE	TUERCA,BRIDA	ECROU A EMBASE	2		
160	EG523-7219-0	RUBBER	BANQUETA,CAUCHO	COUSSIN	2		
165	EG523-6522-0	PLATE(FUSE BOX)	PLACA,FUSIBLE CAJA	PLAQUE	1		
170	02751-50060	NUT,FLANGE	TUERCA,BRIDA	ECROU A EMBASE	2		
180	EG523-6517-0	BRACKET(HARNESS 1)	ABRAZADERA(ARNÉS 1)	SUPPORT(FAISCEAU 1)	4		
190	01754-50612	BOLT,FLANGE	TORNILLO,BRIDA	VIS DE BUTEE	4		

↔ INTERCHANGEABLE; ≠ NOT INTERCHANGEABLE; ← NEW FOR OLD; → OLD FOR NEW

**060200 EXHAUST MANIFOLD
ESCAPE COLECTOR
COLLECTEUR D'ECHAPPEMENT**



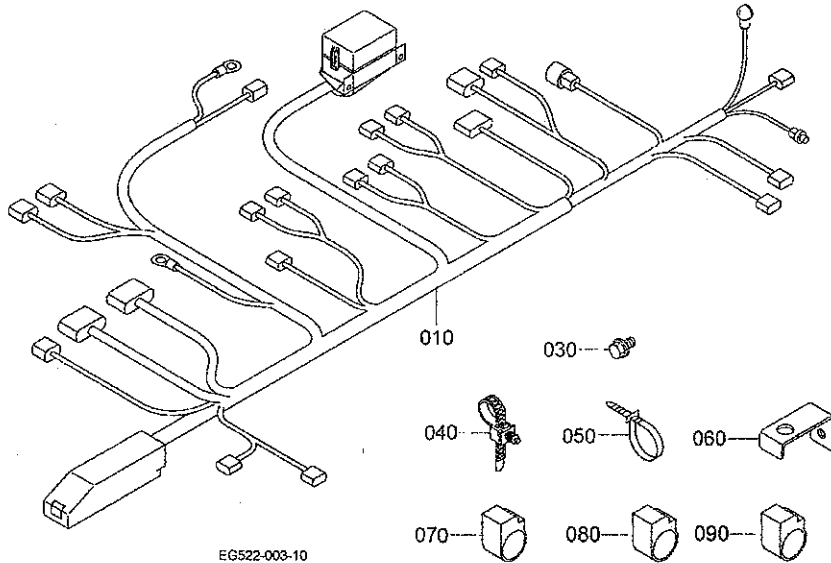
EG525-042-10

A:WG1605-G-E3-MNTM-1

REF NO. No DE REF POS.No.	PART NO. No. REF. REFERENCE	PART NAME	DESCRIPCION	DESIGNATION	Q'TY/S NO. CANTIDAD/No. DE SERIE	I.C.	REMARKS NOTA REMARQUES
					A	I.C.	
010	EG523-1231-2	MANIFOLD,EXHAUST	COLECTOR,ESCAPE	COLLECTEUR D'ECHAPP.	1		
020	EG523-1235-0	GASKET(EX-MANIFOLD)	JUNTA,ESCP-CLCTR	JOINT DE COLL.ECHAP.	1		
030	EG523-9149-0	STUD	ESPARRAGO	GOUJON	8		
040	16271-9201-0	NUT	TUERCA	ECROU	8		
050	1J500-9155-0	STUD	ESPARRAGO	GOUJON	4		
060	EG523-1734-0	COVER(EXHAUST)	CUBIERTA,ESCAPE	COUVERCLE	1		
070	01754-50610	BOLT,FLANGE	TORNILLO,BRIDA	VIS DE BUTEE	5		

↔ INTERCHANGEABLE; ≠ NOT INTERCHANGEABLE; ← NEW FOR OLD; → OLD FOR NEW

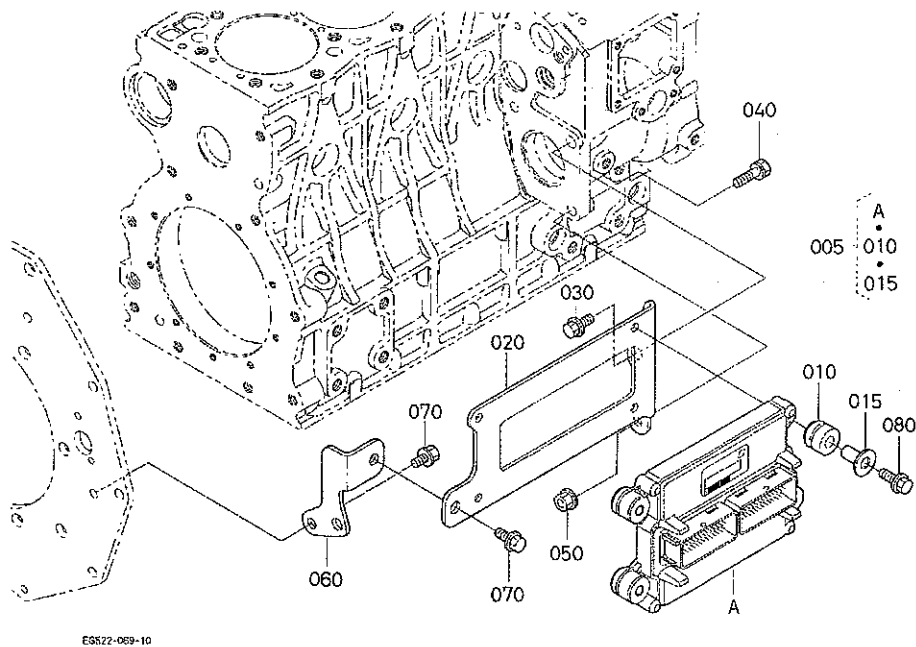
**080600 WIRE HARNESS
CABLE M/CABLES
FAISCEAU ELECTRIQUE**



A:WG1605-G-E3-MNTM-1

REF NO. No. DE REF POS.No.	PART NO. No. REF. REFERENCE	PART NAME	DESCRIPCION	DESIGNATION	Q'TY/S.NO.	I.C.	REMARKS NOTA REMARQUES
					CANTIDAD/No. DE SERIE Q'TE/No.S.	I/C	
010	EG522-6505-3	HARNESS,WIRE,ASSY	CONJ.MAZO CABLES	ENS.FAISC.DE FILS	1		
020	---	BLANK	POSTIZO	BLANC	-		
030	01754-50812	BOLT,FLANGE	TORNILLO,BRIDA	VIS DE BUTEE	1		
040	RP421-5411-0	CLAMP	ABRAZADERA	ATTACHE	1		
050	55311-4126-0	BAND(CORD)	BANDA,CABLE	ATTACHE CABLE	3		
060	EG523-6521-0	BRACKET HARNESS	SOPORTE	SUPPORT	1		
070	RD451-5426-0	CLAMP	ABRAZADERA	ATTACHE	1		
080	RD451-5425-0	CLAMP	ABRAZADERA	ATTACHE	2		
090	RD451-5424-0	CLAMP	ABRAZADERA	ATTACHE	1		

080700 ECU
 UNIDAD DE CONTROL ELECTRONICA
 CENTRE DE CONTROLE ELECTRONIQUE [DTSC]

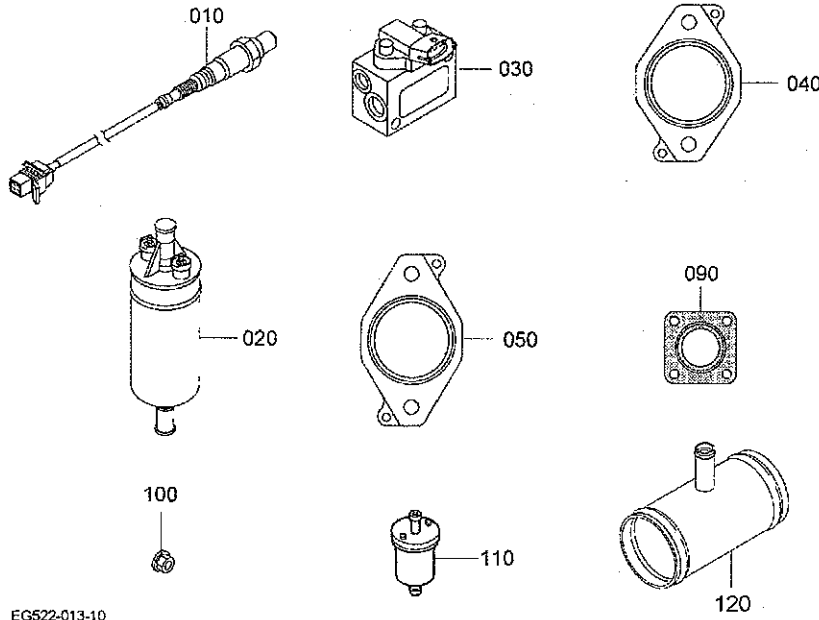


A:WG1605-G-E3-MNTM-1

REF NO. No DE REF POS.No.	PART NO. No. REF. REFERENCE	PART NAME	DESCRIPCION	DESIGNATION	Q'TY/S.NO. CANTIDAD/No. DE SERIE Q'TE/No. S.	I.C. I/C I.C.	REMARKS NOTA REMARQUES
005	EH044-6020-0	ECU,ASSY(16MNTM-G)	CONJ.ECU	ENS.ECU	1		
010	E6523-6816-0	RUBBER	BANQUETA,CAUCHO	COUSSIN	4		
015	E6523-6815-0	SPACER(ECU)	SEPARADOR(ECU)	ENTRETOISE(ECU)	4		
020	E6523-6820-0	STAY(ECM,1)	SUSPENSION(ECM,1)	HAUBAN(ECM,1)	1		
030	01774-51020	BOLT,FLANGE	TORNILLO,BRIDA	VIS DE BUTEE	1		
040	01123-50830	BOLT,SEMS	PERNO	VIS	1		
050	02751-50080	NUT,FLANGE	TUERCA,BRIDA	ECROU A EMBASE	1		
060	E6523-6830-0	STAY(ECM,2)	SUSPENSION(ECM,2)	HAUBAN(ECM,2)	1		
070	01754-50812	BOLT,FLANGE	TORNILLO,BRIDA	VIS DE BUTEE	2		
080	01754-50635	BOLT,FLANGE	TORNILLO,BRIDA	VIS DE BUTEE	4		

↔ INTERCHANGEABLE; ≠ NOT INTERCHANGEABLE; ← NEW FOR OLD; → OLD FOR NEW

080800 **ACCESSORIES AND SERVICE PARTS**
ACCESORIOS Y SERVICIO PIEZAS
ACCESSOIRES ET PIECES DE SERVICE

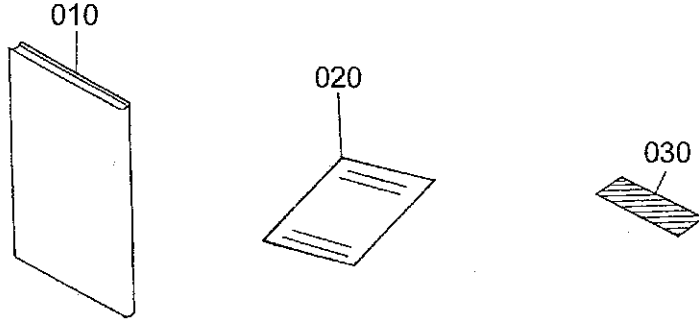


A:WG1605-G-E3-MNTM-1

REF NO. No DE REF POS.No.	PART NO. No. REF. REFERENCE	PART NAME	DESCRIPCION	DESIGNATION	Q'TY/S NO.	I.C.	REMARKS NOTA REMARQUES
					CANTIDAD No. DE SERIE	I/C	
010	EG523-1224-0	SENSOR(O2)	SENSOR(O2)	CAPTEUR(O2)	A 2		
020	EG522-5202-0	PUMP(FUEL)	BOMBA,COMBUSTIBLE	POMPE D'ALIMENTATION	1		
030	EG522-5207-0	MANIFOLD(FPM)	COLECTOR	COLLECTEUR	1		
040	EG523-1237-0	GASKET,MUFFLER	JUNTA,SILENCIADOR	JOINT DE SILENCIEUX	1		
050	EG523-1238-0	GASKET,MUFFLER	JUNTA,SILENCIADOR	JOINT DE SILENCIEUX	1		
060	---	BLANK	POSTIZO	BLANC	-		
070	---	BLANK	POSTIZO	BLANC	-		
080	---	BLANK	POSTIZO	BLANC	-		
090	EG523-1223-0	GASKET,MUFFLER	JUNTA,SILENCIADOR	JOINT DE SILENCIEUX	1		
100	02756-50080	NUT,UBS	TUERCA,UBS	ECROU	4		
110	12581-4301-2	ASSY FILTER,FUEL	CONJ.FILTRO,CMBSTBL	ENS.FILTRE,COMBUST	1		
120	EG522-1194-0	PIPE(BREATHER)	PIPA	TUYAU DE REINFLARD	1		

↔ INTERCHANGEABLE; ≠ NOT INTERCHANGEABLE; ← NEW FOR OLD; → OLD FOR NEW

080900 LABEL AND OPERATOR'S MANUAL
ETIQUETA Y DEL OPERADOR MANUAL
ETIQUETTE ET MANUEL DE L'UTILISATEUR



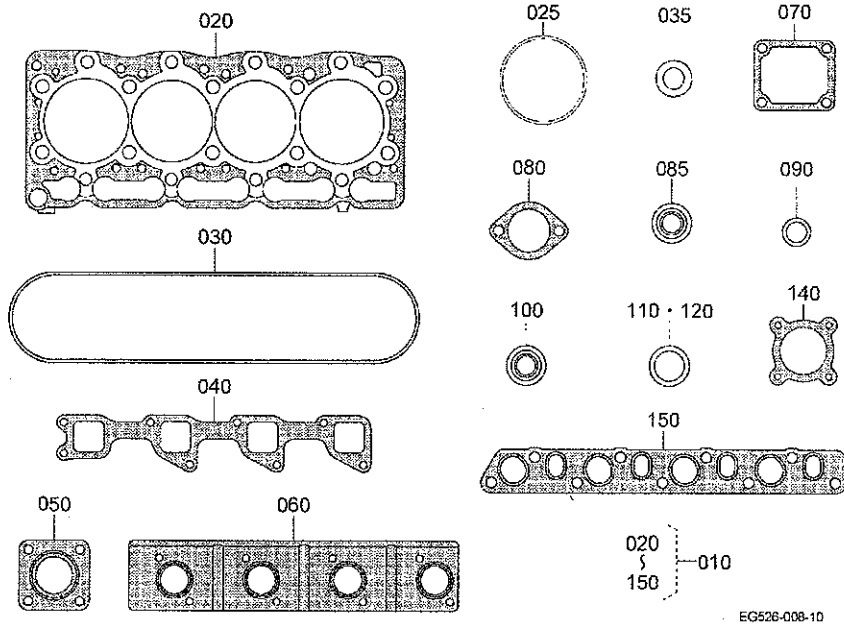
EG525-000-10

A:WG1605-G-E3-MNTM-1

REF NO. No. DE REF POS.No.	PART NO. No. REF. REFERENCE	PART NAME	DESCRIPCION	DESIGNATION	Q'TY/S NO. CANTIDAD/NO. DE SERIE	I.C.	REMARKS NOTA REMARQUES
					Q'TE/No.S	I.C.	
010	EG523-8916-3	MANUAL,OP	MANUAL DEL OPERADOR	MANUEL DE L'UTILISA.	A 1		
020	EG522-8980-2	PAPER(WARRANTY)	DECLARACION,GARANTIA	DECLARATION,GARANTIE	1		
030	12599-8822-3	LABEL,CAUTION	ETIQUETA,PRECAUCION	ETIQUETTE	1		

↔ INTERCHANGEABLE; ≠ NOT INTERCHANGEABLE; ← NEW FOR OLD; → OLD FOR NEW

**090001 UPPER GASKET KIT[OPTION]
SUPERIOR JUNTA KIT[OPCIÓN]
JEU DE JOINTS SUPER[OPTION]**



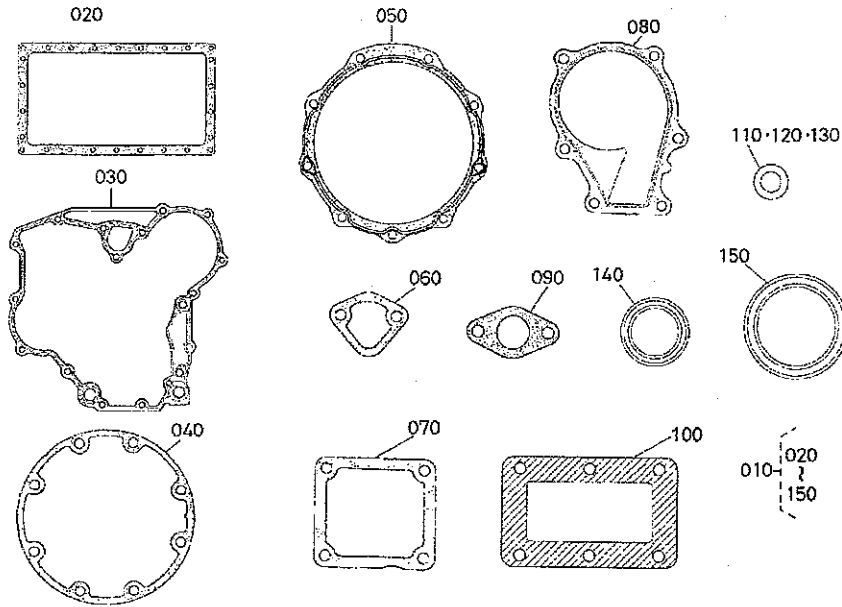
EG526-008-10

A:WG1605-G-E3-MNTM-1

REF NO. No DE REF POS.No.	PART NO. No. REF. REFERENCE	PART NAME	DESCRIPCION	DESIGNATION	Q'TY/S NO. CANTIDAD/No. DE SERIE	I.C.	REMARKS NOTA REMARQUES
					A	I.C.	
010	EG522-9935-2	GASKET,KIT(UPPER)	KIT JUNTA,SUPERIOR	JEU DE JOINTS SUPER.	1		
020	16394-0331-3	GASKET,CYLINDER HEAD	JUNTA,CLNDR CLT	JOINT	1		
025	1A021-0543-0	O-RING(BREATHER)	O ARO,RESPIRADERO	JOINT TORIQUE	2		
030	16241-1452-0	GASKET,HEAD COVER	JUNTA,CLT CBRT	JOINT COUVRE-CULASSE	1		
035	04724-00160	PACKING	JUNTA	JOINT	1		
040	EG523-1182-0	GASKET(INLET)	JUNTA	JOINT DE ADMISSION	1		
050	EG523-1223-0	GASKET,MUFFLER	JUNTA,SILENCIADOR	JOINT DE SILENCIEUX	1		
060	EG523-1235-0	GASKET(EX-MANIFOLD)	JUNTA,ESCP-CLCTR	JOINT DE COLL.ECHAP.	1		
070	16264-7292-0	GASKET(FLANGE,WATER)	JUNTA,AGUA BRIDA	JOINT DE BRIDE	1		
080	16221-7327-0	GASKET(THERMOSTAT)	JUNTA,TERMOSTATO	JOINT	1		
085	04717-01200	WASHER,SEAL	ARANDELA,CON CAUCHO	JOINT EN CAOUTCHOUC	1		
090	1J001-9677-0	O-RING	O ARO	JOINT TORIQUE	1		
100	15951-9666-0	GASKET	JUNTA	JOINT	4		
110	1C010-1315-0	SEAL(VALVE STEM)	RETEN,VLVL VSTG	JOINT DE SOUPAPE	4		
120	EG523-1315-0	SEAL,VALVE STEM	RETEN,VLVL VSTG	JOINT DE SOUPAPE	4		
130	----	BLANK	POSTIZO	BLANC	-		
140	EG523-4611-0	GASKET(THROTTLE)	JUNTA(REGULADOR)	JOINT D'ETANCHÉITE(OBTURATEUR)	1		
150	EG522-4505-0	GASKET(FLANGE)	JUNTA(BRIDA)	JOINT D'ETANCHÉITE(BRIDE)	1		

↔ INTERCHANGEABLE; ≠ NOT INTERCHANGEABLE; ← NEW FOR OLD; → OLD FOR NEW

090002 LOWER GASKET KIT[OPTION] BAJAR JUNTA KIT[OPCION] JEU DE JOINTS INFER[OPTION]



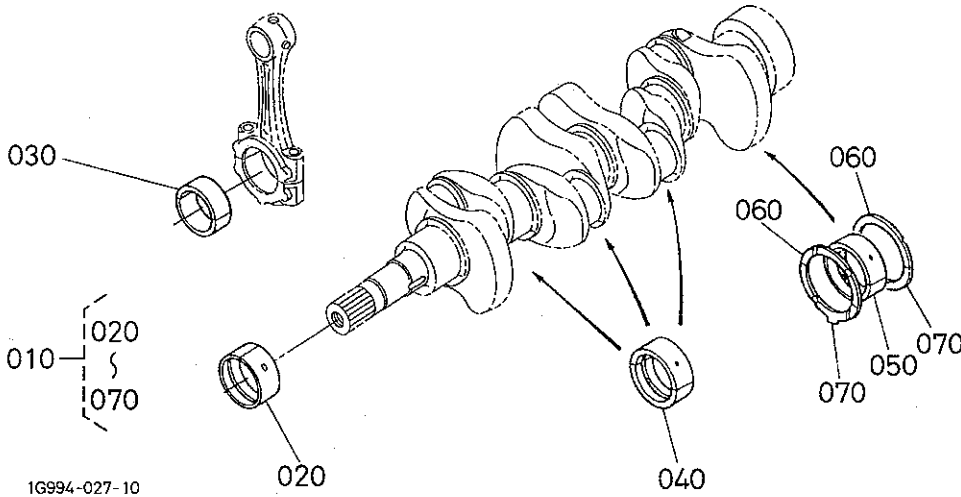
EG522-031-10

A:WG1605-G-E3-MNTM-1

REF NO. No. DE REF. POS. No.	PART NO. No. REF. REFERENCE	PART NAME	DESCRIPCION	DESIGNATION	Q'TY/S. NO. CANTIDAD/No. DE SERIE	I.C.	REMARKS NOTA REMARQUES
					Q'TE/No. S.	I.C.	
					A		
010	EG523-9936-3	GASKET,KIT(LOWER)	KIT JUNTA,BAJAR	JEU DE JOINTS INFER.	1		
020	16252-0163-0	GASKET,OIL PAN	JUNTA,ACT CCRL	JOINT	1		
030	16264-0413-2	GASKET,GEAR CASE	JUNTA,ENGRANAJE CAJA	JOINT	1		
040	1J095-0436-0	GASKET,BRG. CASE	JUNTA,PUENTE CAJA	JOINT	1		
050	16264-0482-2	GASKET	JUNTA,CAJA CUBIERTA	JOINT DE CARTER FOU	1		
060	16261-5214-0	GASKET(FUEL PUMP)	JUNTA,CMBSTBL BMB	JOINT DE POMP. CARB.	1		
070	16264-5721-0	GASKET	JUNTA	JOINT	1		
080	16239-7343-0	GASKET(PUMP,WATER)	JUNTA,AGUA BOMBA	JOINT DE POMPE A EAU	1		
090	16299-5626-0	GASKET	JUNTA	JOINT	1		
100	16040-5209-2	SHIM,INJECTION	SUPLEMENTO,INYCCN	CALE,POMPE INJECTION	1		
110	15601-9665-0	GASKET	JUNTA	JOINT	4		
120	60090-5896-0	GASKET(PAN,OIL)	JUNTA	JOINT	1		
130	16265-9667-0	GASKET(PAN,OIL)	JUNTA	JOINT	1		
140	16259-0421-0	SEAL,OIL	RETEN DE ACEITE	BAGUE JOINT	1		
150	16285-0446-0	SEAL,OIL	SELLO	BAGUE JOINT	1		

↔ INTERCHANGEABLE; ≠ NOT INTERCHANGEABLE; ← NEW FOR OLD; → OLD FOR NEW

**090100 METAL KIT[OPTION]
KIT DEL METAL[OPCION]
JEU COUSSINET[OPTION]**



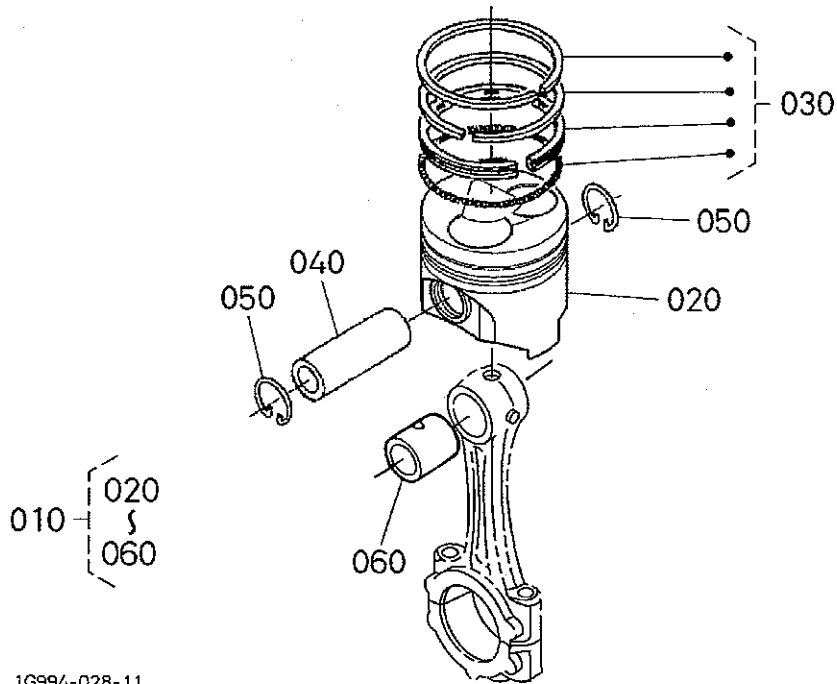
1G994-027-10

A:WG1605-G-E3-MNTM-1

REF. NO. No. DE REF. POS. No.	PART NO. No. REF. REFERENCE	PART NAME	DESCRIPCION	DESIGNATION	Q'TY/S NO. CANTIDAD No. DE SERIE Q'TE/No.S.	I.C.	REMARKS NOTA REMARQUES
					A	I.C.	
010	1G992-2375-5	METAL, KIT(ENGINE)	KIT METAL, MOTOR	JEU DE COUSSINET	1		STD
010	1G992-2376-5	KIT METAL, ENGINE	KIT METAL, MOTOR	JEU DE COUSSINET	1		-0.20mm/+0.20mm
010	1G992-2377-5	KIT METAL, ENGINE	KIT METAL, MOTOR	JEU DE COUSSINET	1		-0.40mm/+0.40mm
020	16292-2347-3	METAL, CRANKSHAFT	METAL, CIGUENAL	COUSSINET DE VILEBR.	1		STD
020	16292-2391-3	METAL, CRANKSHAFT	METAL, CIGUENAL	COUSSINET DE VILEBR.	1		-0.20mm
020	16292-2392-3	METAL, CRANKSHAFT	METAL, CIGUENAL	COUSSINET DE VILEBR.	1		-0.40mm
030	16292-2231-0	METAL, (PIN, CRANK)	METAL, MUNEQUILLA	COUSSINET DE BIELLE	4		STD/SET
030	16292-2297-2	METAL, CRANKPIN	METAL, MUNEQUILLA	COUSSINET DE BIELLE	4		-0.20mm/SET
030	16292-2298-2	METAL, CRANKPIN	METAL, MUNEQUILLA	COUSSINET DE BIELLE	4		-0.40mm/SET
040	16292-2348-3	METAL, CRANKSHAFT	METAL, CIGUENAL	COUSSINET DE VILEBR.	3		STD/SET
040	16292-2393-3	METAL, CRANKSHAFT	METAL, CIGUENAL	COUSSINET DE VILEBR.	3		-0.20mm/SET
040	16292-2394-3	METAL, CRANKSHAFT	METAL, CIGUENAL	COUSSINET DE VILEBR.	3		-0.40mm/SET
050	16292-2349-4	METAL, CRANKSHAFT	METAL, CIGUENAL	COUSSINET DE VILEBR.	1		STD/SET
050	16292-2386-4	METAL, CRANKSHAFT	METAL, CIGUENAL	COUSSINET DE VILEBR.	1		-0.20mm/SET
050	16292-2387-4	METAL, CRANKSHAFT	METAL, CIGUENAL	COUSSINET DE VILEBR.	1		-0.40mm/SET
060	15521-2353-3	METAL, SIDE	METAL, LADO	COUSSINET DE LATERAL	2		STD
060	15521-2395-3	METAL, SIDE	METAL, LADO	COUSSINET DE LATERAL	2		+0.20mm
060	15521-2396-3	METAL, SIDE	METAL, LADO	COUSSINET DE LATERAL	2		+0.40mm
070	19202-2354-3	METAL, SIDE	METAL, LADO	COUSSINET DE LATERAL	2		STD
070	19202-2397-3	METAL, SIDE	METAL, LADO	COUSSINET DE LATERAL	2		+0.20mm
070	19202-2398-3	METAL, SIDE	METAL, LADO	COUSSINET DE LATERAL	2		+0.40mm

↔ INTERCHANGEABLE; ≠ NOT INTERCHANGEABLE; ← NEW FOR OLD; → OLD FOR NEW

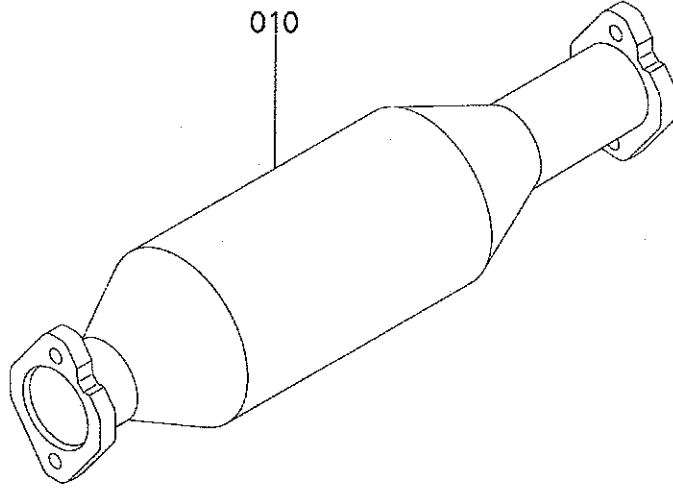
**090300 PISTON KIT [OPTION]
KIT DEL PISTON[OPCION]
JEU DE PISTONS[OPTION]**



A:WG1605-G-E3-MNTM-1

REF NO. No. DEREF POS.No.	PART NO. No. REF. REFERENCE	PART NAME	DESCRIPCION	DESIGNATION	Q'TY/S NO.	I.C.	REMARKS
					CANTIDAD/No. DE SERIE Q'TE/No. S.	I/C I.C.	NOTA REMARQUES
					A		
010	EG523-2177-0	KIT PISTON	KIT PISTON	ENS.PISTON	4		STD
010	EG523-2179-0	KIT PISTON	KIT PISTON	ENS.PISTON	4		+0.50mm
020	EG523-2111-0	PISTON	PISTON	PISTON	4		STD
020	EG523-2191-0	PISTON	PISTON	PISTON	4		+0.50mm
030	EG523-2105-0	ASSY PISTON RING	CONJUNTO PISTON ARO	ENS.SEGMENT	4		STD
030	EG523-2109-0	ASSY PISTON RING	CONJUNTO PISTON ARO	ENS.SEGMENT	4		+0.50mm
040	16241-2131-0	PIN,PISTON	PASADOR,PISTON	AXE DE PISTON	4		
050	16241-2133-0	CIRCLIP(PIN,PISTON)	ANILLO	CIRCLIP	8		
060	1G700-2198-0	BUSHING(PIN,PISTON)	CASQUILLO, PSTN PSDR	BAGUE DE BIELLE	4		

↔ INTERCHANGEABLE; ≠ NOT INTERCHANGEABLE; ← NEW FOR OLD; → OLD FOR NEW



EG525-028-10

A:WG1605-G-E3-MNTM-1

REF. NO. No. DE REF. POS. No.	PART NO. No. REF. REFERENCE	PART NAME	DESCRIPCION	DESIGNATION	Q'TY/S. NO. CANTIDAD/No. DE SERIE Q'TE/No. S.	I.C.	REMARKS NOTA REMARQUES
						I/C	
010	EG523-1212-0	CONVERTER,COMP	CONVERTIDOR,COMP	CONVERTISSEUR,COMP	1	A	

↔ INTERCHANGEABLE; ≠ NOT INTERCHANGEABLE; ← NEW FOR OLD; → OLD FOR NEW

**NUMERICAL INDEX
INDICE NUMERICO
INDEX NUMERIQUE**

PART NO. No. REF. REFERENCE	PAGE PAGINA PAGE	REF.NO. No.DE REF. POS.No.	PART NO. No. REF. REFERENCE	PAGE PAGINA PAGE	REF.NO. No.DE REF. POS.No.	PART NO. No. REF. REFERENCE	PAGE PAGINA PAGE	REF.NO. No.DE REF. POS.No.	PART NO. No. REF. REFERENCE	PAGE PAGINA PAGE	REF.NO. No.DE REF. POS.No.
E9121-6833-2	12	010	EG523-2191-0	10	010	01123-50830	31	040	06331-35012	13	130
E9151-3314-0	5	100		37	020	01123-50835	22	120	07715-00201	4	100
EG371-6308-0	19	150	EG523-2501-0	11	010	01127-50830	16	030	07715-00401	9	040
EG515-6345-0	19	080	EG523-3118-0	19	060	01133-51028	38	030	11460-6332-0	20	250
EG522-0104-0	1	010	EG523-4275-0	5	170	01173-51085	16	040	12181-6322-0	19	170
EG522-0304-0	3	040	EG523-4400-0	28	090	01513-50625	28	140	12182-6329-0	19	090
EG522-0402-0	4	010	EG523-4480-0	28	050	01754-50610	1	180	12581-4301-2	32	110
EG522-0462-0	11	040	EG523-4611-0	28	100		27	090	12599-8822-3	33	030
EG522-1194-0	32	120		34	140		29	070	13816-6346-0	19	180
EG522-4264-0	13	150	EG523-5285-0	12	030	01754-50612	13	165	13901-3375-0	2	020
EG522-4402-0	13	160	EG523-6301-0	18	010	01754-50612	14	170	14182-9203-0	17	270
EG522-4403-0	13	090		19	010		28	190	14278-9201-0	19	240
EG522-4412-0	13	170	EG523-6517-0	28	180	01754-50616	4	260	14958-6305-0	19	140
EG522-4500-0	13	010	EG523-6520-0	28	070		12	040	14958-6306-0	19	105
EG522-4505-0	13	040	EG523-6521-0	30	060		13	070	14958-6317-0	19	160
	34	150	EG523-6522-0	28	165	01754-50625	25	020	14958-6326-0	19	120
EG522-5202-0	32	020	EG523-6709-0	13	060	01754-50630	12	020	14958-6327-0	19	130
EG522-5207-0	32	030	EG523-6771-0	13	050		13	180	14958-6338-0	19	030
EG522-6505-3	30	010	EG523-6815-0	31	015	01754-50635	31	080	14958-6348-0	19	035
EG522-8980-2	33	020	EG523-6816-0	31	010	01754-50645	13	190	14958-6353-0	19	100
EG522-9935-2	34	010	EG523-6820-0	31	020	01754-50645	28	110	14958-9401-0	19	190
EG523-0174-0	3	010	EG523-6830-0	31	060	01754-50812	30	030	14958-9402-0	19	200
EG523-0175-2	3	020	EG523-6833-2	4	250		31	070	14958-9403-0	19	210
EG523-0193-0	14	120	EG523-7219-0	28	160	01754-50816	28	080	14958-9404-0	19	220
EG523-0345-0	13	200	EG523-8916-3	33	010	01774-51020	31	030	15221-0349-0	1	030
EG523-0380-0	3	120	EG523-9105-0	3	130	02014-50060	14	150		28	040
EG523-0545-0	5	120	EG523-9106-0	28	060		17	275	15231-3396-0	1	130
EG523-0551-0	5	160	EG523-9149-0	29	030	02056-50060	14	070	15241-3229-0	6	020
EG523-0555-0	28	030	EG523-9677-0	28	055	02114-50080	18	040	15261-0337-0	3	090
EG523-1181-2	28	010	EG523-9936-3	35	010	02751-50060	4	180	15261-1324-0	27	030
EG523-1182-0	28	120	EH044-6020-0	31	005	02751-50060	4	240	15261-1336-0	27	050
	34	040	HH160-3209-3	6	010		28	150	15261-9119-0	11	050
EG523-1212-0	39	010	K3511-8143-0	19	050		28	170	15261-9601-0	1	040
EG523-1223-0	32	090	K3511-8146-0	19	110	02751-50080	31	050		3	060
	34	050	K3511-8148-0	20	280	02756-50080	32	100	15321-9626-0	3	050
EG523-1224-0	32	010	RD451-5424-0	30	090	03016-50616	11	070	15401-6339-0	19	135
EG523-1231-2	29	010	RD451-5425-0	30	080	03017-50620	4	060	15451-9627-0	1	020
EG523-1235-0	29	020	RD451-5426-0	30	070	03054-50545	5	080	15451-9630-0	5	060
	34	060	RP421-5411-0	30	040	04011-50100	16	050	15504-6350-0	19	047
EG523-1237-0	32	040	01023-50612	14	030	04011-50180	6	030	15504-6353-0	19	045
EG523-1238-0	32	050	01023-50612	14	090	04512-50050	5	090	15521-2353-3	10	190
EG523-1311-0	27	010	01023-50616	9	080	04512-50060	14	080		36	060
EG523-1312-0	27	020		9	150		14	160	15521-2395-3	10	190
EG523-1315-0	27	065		15	030	04512-50080	18	050		36	060
	34	120		16	070	04512-50100	16	060	15521-2396-3	10	190
EG523-1356-0	3	080		22	050	04717-01200	22	140		36	060
EG523-1466-0	5	010	01023-50625	28	130		34	085	15521-9602-0	1	070
EG523-1467-0	5	070	01023-50630	23	080	04724-00120	13	140	15601-9665-0	1	190
EG523-1601-0	9	030	01023-50645	4	120	04724-00160	5	130		4	270
EG523-1650-0	9	050	01023-50650	4	130		34	035		14	110
EG523-1693-0	9	055	01023-50655	4	140	04724-00200	13	120	15601-9665-0	35	110
EG523-1734-0	29	060		22	060	04814-00090	7	030	15668-5711-0	14	040
EG523-2105-0	10	020	01023-50665	4	150	04814-00160	2	090	15841-9150-0	14	140
	37	030	01023-50685	23	090	04814-10280	10	170	15841-9402-2	27	160
EG523-2109-0	10	020	01053-50612	4	280	05012-00410	4	070	15841-9602-0	21	020
	37	030	01053-50616	14	100	05012-00512	11	060	15852-5285-0	4	220
EG523-2111-0	10	010	01123-50814	3	030	05012-00610	1	120	15852-7334-0	23	060
	37	020	01123-50816	2	080	05012-00814	1	110	15881-6409-0	17	190
EG523-2177-0	37	010		3	035	05411-00428	27	140	15881-6411-0	17	020
EG523-2179-0	37	010	01123-50830	18	020	05712-00518	9	060	15881-6415-0	17	040

**NUMERICAL INDEX
INDICE NUMERICO
INDEX NUMERIQUE**

PART NO. No. REF. REFERENCE	PAGE PAGINA PAGE	REF. NO. No. DE REF. POS. No.	PART NO. No. REF. REFERENCE	PAGE PAGINA PAGE	REF. NO. No. DE REF. POS. No.	PART NO. No. REF. REFERENCE	PAGE PAGINA PAGE	REF. NO. No. DE REF. POS. No.	PART NO. No. REF. REFERENCE	PAGE PAGINA PAGE	REF. NO. No. DE REF. POS. No.	
15881-6426-0	17	120	16241-2516-0	11	030	16292-2231-0	36	030	19202-2398-3	10	200	
15881-6433-0	17	200	16241-3365-0	1	140	16292-2297-2	10	080			36	070
15881-6471-0	17	100	16241-3507-0	4	040		36	030	19217-7246-0	26	030	
15881-6480-0	17	060	16241-3693-0	4	090	16292-2298-2	10	080	19434-7301-4	22	090	
15881-6481-0	17	080	16241-3695-0	4	080		36	030	19449-7250-2	26	020	
15881-6485-0	17	160	16241-5625-3	14	010	16292-2347-3	10	180	1A021-0543-0	5	050	
15881-6490-0	17	170	16241-6442-2	16	020		36	020			34	025
15881-9104-0	17	240	16241-7335-0	22	070	16292-2348-3	8	095	1A021-9602-0	22	030	
15881-9105-0	17	260	16241-7336-0	5	180		8	125	1A024-3901-0	21	010	
15881-9201-0	17	030	16241-7337-0	22	020		8	145	1A055-2411-0	10	120	
15881-9202-0	17	250	16241-9102-0	16	100	16292-2348-3	36	040	1C010-1315-0	27	060	
15881-9301-0	17	110	16241-9104-0	4	160	16292-2349-4	8	015			34	110
15881-9302-0	17	210	16241-9601-0	1	060		36	050	1G081-6382-0	11	020	
15881-9303-0	17	220	16241-9626-2	1	150	16292-2386-4	8	015	1G513-3655-0	7	050	
15881-9304-0	17	230	16241-9701-3	16	110		36	050	1G642-7305-0	23	040	
15951-9666-0	5	150	16245-9153-0	4	170	16292-2387-4	8	015	1G673-1555-0	9	010	
	34	100	16245-9154-0	4	210		36	050	1G677-7296-0	24	030	
15952-9233-0	5	140		14	060	16292-2391-3	10	180	1G679-9101-0	8	070	
16040-5209-2	14	130	16249-7428-0	16	090		36	020	1G679-9102-0	8	080	
	35	100	16251-3513-0	4	050	16292-2392-3	10	180	1G680-7287-0	24	020	
16217-7425-0	25	040	16251-7303-4	23	010	16292-2392-3	36	020	1G687-7336-2	22	080	
16219-7326-0	22	100	16252-0163-0	35	020	16292-2393-3	8	095	1G700-2198-0	10	060	
16221-5628-0	1	160	16259-0421-0	4	200		8	125			37	060
16221-7327-0	22	110		35	140		8	145	1G742-0512-0	5	040	
	34	080	16259-7351-2	23	050		36	040	1G871-2301-6	10	090	
16221-9112-2	2	060	16259-7352-0	23	020	16292-2394-3	8	095	1G992-2375-5	36	010	
16226-3211-4	2	070	16261-1333-0	27	040		8	125	1G992-2376-5	36	010	
16231-6011-0	15	010	16261-1354-0	3	070		8	145	1G992-2377-5	36	010	
16239-7343-0	23	070	16261-5214-0	4	230		36	040	1J001-9677-0	5	110	
	35	080		35	060	16299-5626-0	14	020			34	090
16241-0345-0	3	100	16261-7415-2	25	030	16299-5626-0	35	090	1J050-2325-0	10	160	
16241-0454-0	8	020	16261-9601-0	4	020	16299-6015-0	15	020	1J050-3563-0	10	140	
	8	100	16261-9602-0	4	030	16394-0331-3	3	110	1J095-0436-0	8	030	
	8	130	16264-0413-2	4	110		34	020			35	040
	8	150		35	030	16394-7270-0	22	010	1J095-9201-0	27	120	
16241-0456-0	8	110	16264-0482-2	8	060	16611-3641-3	7	010	1J500-9155-0	29	050	
16241-0481-5	8	040		35	050	16611-9202-0	19	230	48100-5847-4	26	010	
16241-1328-0	27	070	16264-5721-0	14	050	16616-0160-0	2	010	55311-4126-0	30	050	
16241-1403-2	27	190		35	070	16616-0611-2	38	010	5H601-4194-0	22	130	
16241-1423-0	27	200	16264-7292-0	22	040	16616-1386-0	16	080	66436-6402-0	17	090	
16241-1424-0	27	210	16264-7292-0	34	070	16616-8451-0	38	020	66436-6404-0	17	050	
16241-1426-6	27	080	16264-8315-3	15	050	16652-6431-0	17	180	6A100-3116-0	19	020	
16241-1431-0	27	170	16264-8334-2	4	290	16652-6460-0	17	280	6A100-3117-0	19	040	
16241-1435-0	27	100	16265-9667-0	2	050	16652-6477-0	17	070	6A100-3119-0	19	070	
16241-1441-0	27	110		35	130	16652-6478-0	17	130	6C090-5896-0	2	030	
16241-1443-0	27	150	16271-2401-2	9	090	16678-6401-2	16	010			35	120
16241-1452-0	5	020	16271-2498-2	9	100		17	010				
	34	030	16271-9201-0	29	040	16678-6406-0	17	140				
16241-1511-4	9	020	16271-9523-0	10	130	16678-6423-0	17	150				
16241-1627-0	9	070	16271-9616-0	1	090	16683-9602-0	1	050				
16241-2131-0	10	030	16282-3650-0	7	020	16871-7302-0	1	170				
	37	040	16285-0446-0	8	050	17203-7286-0	24	010				
16241-2133-0	10	040		35	150	17218-7411-0	25	010				
	37	050	16286-3375-0	2	040	17311-6328-0	19	165				
16241-2214-2	10	070	16292-0704-7	8	090	17331-7334-2	5	030				
16241-2328-0	10	150	16292-0705-7	8	120	17391-9616-0	1	080				
16241-2425-0	9	140	16292-0706-7	8	140	19202-2354-3	10	200				
16241-2432-0	9	130	16292-0709-5	8	010		36	070				
16241-2436-0	9	110	16292-2201-6	10	050	19202-2397-3	10	200				
16241-2437-0	9	120	16292-2231-0	10	080		36	070				

Kubota®

www.kubota.co.jp

Copyright © 2011-2013 by Kubota Corporation. All rights reserved